

Femur Lift



CONDOR[®] MedTec
EXPAND YOUR POSSIBILITIES

+ Precise Adjustment:

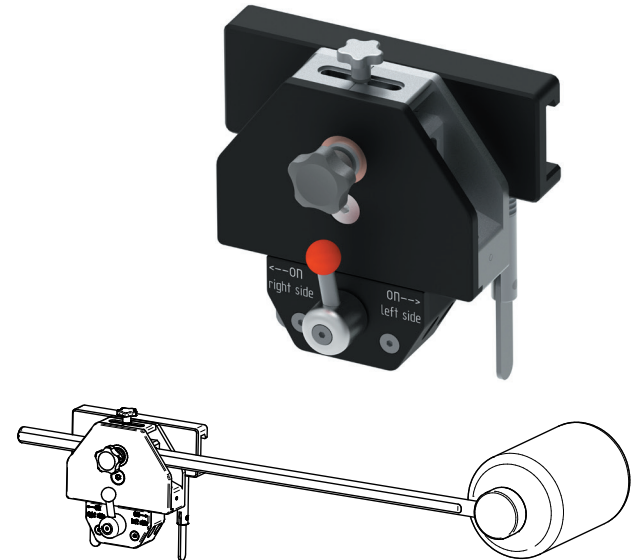
The femur is not immediately elevated during acetabular preparation but rather during shaft processing. This allows for better access to the acetabulum and subsequently results in an improved visualization of the femur during shaft preparation.

+ Functionality of the Femur Lift:

- **Attachment to the Operating Table:** The Femur Lift is secured to the sliding rail of the operating table, aligning the hypomochlion at the level of the countertraction post.
- **Positioning of the Hypomochlion:** The hypomochlion is placed beneath the thigh without direct contact with the skin.
- **Easy Elevation:** After acetabular implantation, the surgeon pulls the hypomochlion to the desired height. It is sterilely covered and finely adjustable. The maximum height of the Femur Lift can be limited preoperatively and is adaptable for each operation.

+ Safety and Handling:

- **Prevention of Accidental Release:** The system prevents unintentional detachment of the locking mechanism.
- **Easy Lowering:** Slight lifting of the hypomochlion and operation of the directional head allow a gentle lowering of the hypomochlion.



Available: Now

Article number: RO.0310.2021