

ACCES- SORIES

Accessories for operating tables






This comprehensive selection of accessories is designed to complement Merivaara operating tables in a variety of surgical procedures.

Operating table accessories represented in this brochure are manufactured or distributed by Merivaara. When equipped with these high-quality accessories the tables are also suitable for many specialized procedures. The safe and easy fixing and ergonomic design ensure a smooth surgical process with less time demands.

All materials used have been carefully selected. The soft, body conforming surfaces provide comfort and safety for the patient, as well as meeting surgical requirements.

Turn to Merivaara Sales for the availability in your country.

 Find us on LinkedIn
Merivaara Corp.

CONTENT

page

Fluent usability	4-5
Clamps	6
Head rests	7-11
Arm & Hand rests	12-14
Leg & Foot rests	15-17
Pads & Mattresses	18-20
Supports & Straps	21-22
Bowls	22-23
Patient Positioning Solutions	24-33
Anaesthesia screens and infusion rods	34
Other accessories	35-37
Recommended accessories	38-39

SYMBOLS

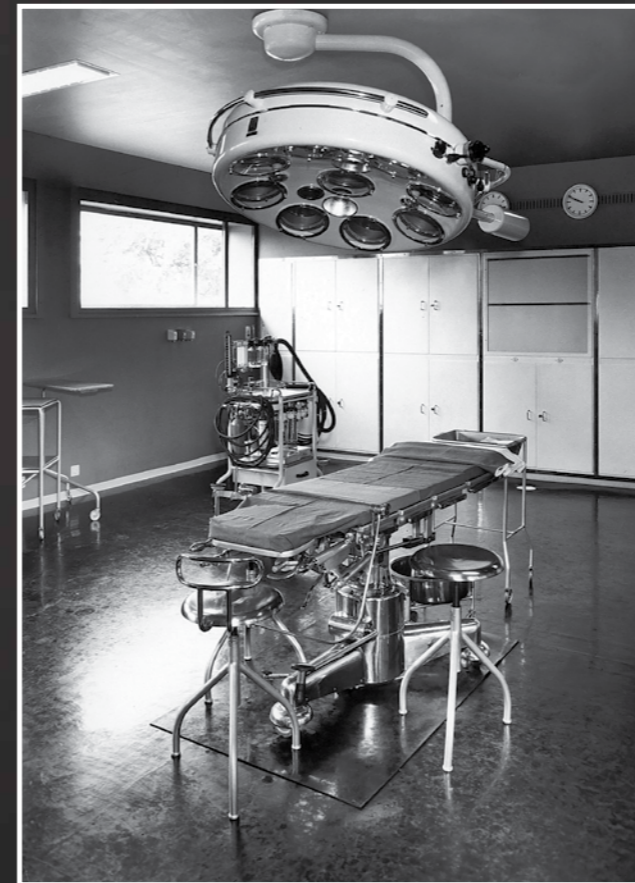
	Suitable for all Merivaara operating tables		Head rest with 2-rod fixing
	Safe working load (kg)		Fluent lock latching compatible
	Patient weight (kg)		Manual
	Accessory weight (kg)		Motorized
	Available with Viscoelastic Foam Mattres		Beach chair
	Available with Molded Integral Skin Mattres		For single-use only
	VEF and IS Mattres options available		Fire resistant
			Latex free

Fluent usability

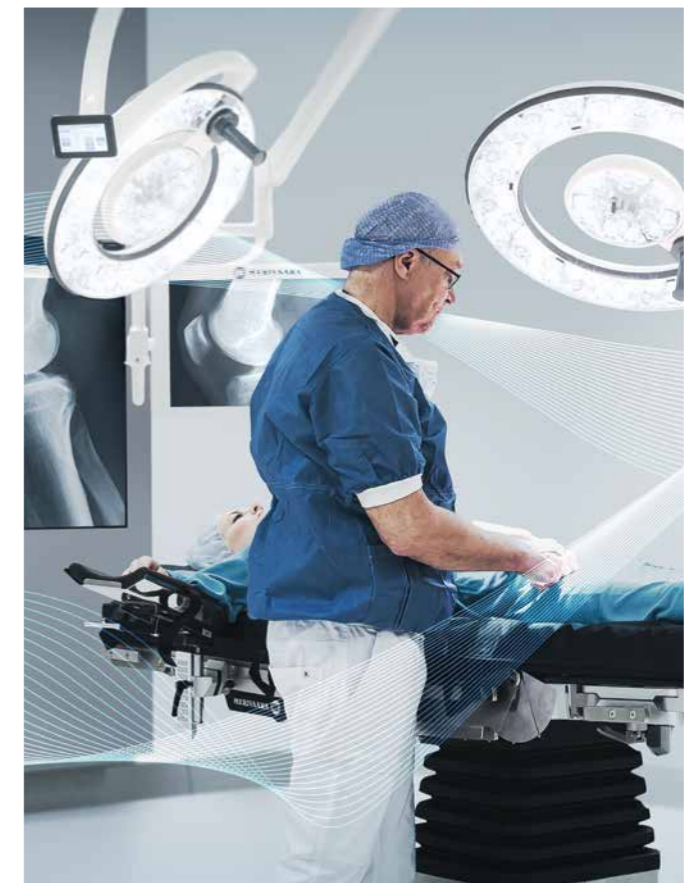
Since 1901

“In addition to the exquisite quality of work, we have taken the utmost interest in the functionality of the equipment. In this regard, several doctors committed to the cause have contributed their advice, based on their valuable experience.”

Juho Merivaara in 1926, founder of Merivaara



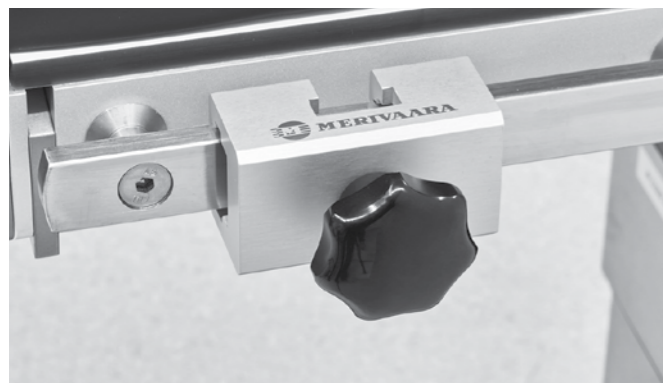
In a modern operating room from the 1950s tables and lights were manually adjusted.



We are proud that the company's values 120 years ago were so ahead of their time that they can still today be fully applied when designing new innovative solutions for healthcare professionals. This is demonstrated by our latest award-winning products, the Q-Flow surgical light and the Smarter Practico operating table with functionality and ease of use at the heart of the design. Our user interfaces are developed together with hospital staff so that all our products and systems can be used intuitively.

We call this Fluent Usability; operating room staff can focus on patient care, not for the management of complex technologies. Top surgeons appreciate this all over the world.





1. RAIL CLAMP 11043

Lightweight clamp for flat bar accessories.

- Size 80 x 45 x 75 mm
- Suitable rails: EUR, US, UK
- Order No. 1000 11043
1000 11043U for US-rail



2. ACCESSORY CLAMP 10301

Lightweight aluminium static clamp for round bar accessory bars with a diameter up to 20 mm.

- Size 40 x 60 x 90 mm
- Accessory rod diameter Ø 20 mm
- Suitable rails: EUR
- Order No. 1000 10301



3. ACCESSORY CLAMP 10200 UNIVERSAL

Designed to mount round bar accessories vertically and flat bar accessory bars horizontally, perfect for infusion stand and/or extension rails.

- Size 40 x 150 x 80 mm
- Accessory rod diameter Ø 16 mm and 10 x 25 mm
- Aluminium
- Suitable rails: EUR, US, UK
- Order No. 1000 10200



4. RADIAL CLAMP 10308

Radial clamp rotational for round bar compatible accessories.

- Size 60 x 160 x 110 mm
- Accessory rod diameter Ø 16–20 mm
- Suitable rails: EUR, US, UK
- Order No. 1000 10308



5. RADIAL ACCESSORY CLAMP 10300

Radial clamp with for round bar accessories, perfect solution for anaesthesia screens, infusion rod.

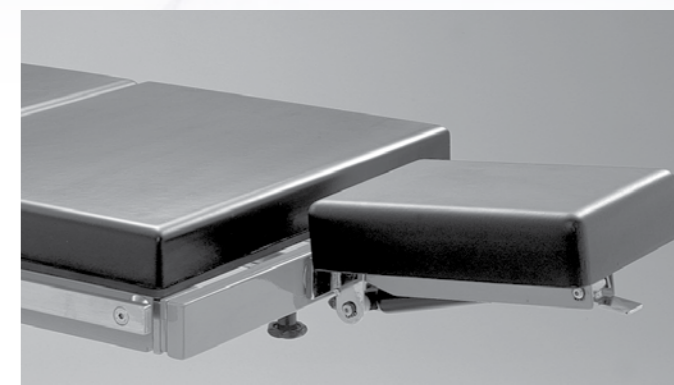
- Size 110 x 160 x 100 mm
- Accessory rod diameter Ø 16–20 mm
- Stainless steel
- Suitable rails: EUR, US, UK
- Order No. 1000 10300



1. WIDE HEADREST 141

Multi articulated wide head rest with PUR padding.

- Size 275 x 406 x 50 mm
- Order No. 1000 00141



2. NARROW HEADREST 142

Multi articulated gas assisted narrow head rest. Perfect solution for ENT surgical procedures.

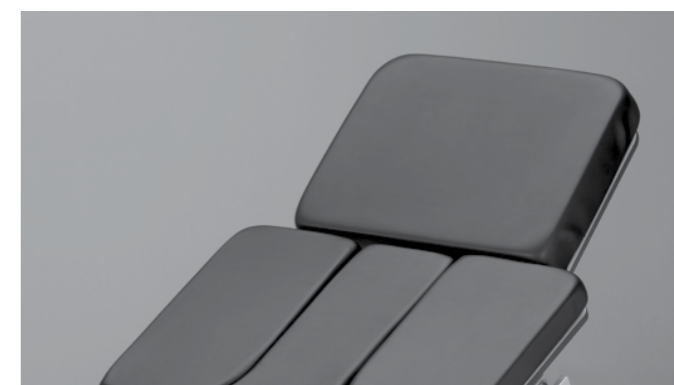
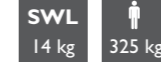
- Size 275 x 206 x 50 mm
- Order No. 1000 00142



3. ENT-SURGERY HEAD REST 18143

Gas assisted narrow head rest with contour moulding for comfort, vertical up and down manipulation. Perfect for ENT surgical procedures.

- Size 245 x 242 x 40 mm
- Order No. 1000 18143

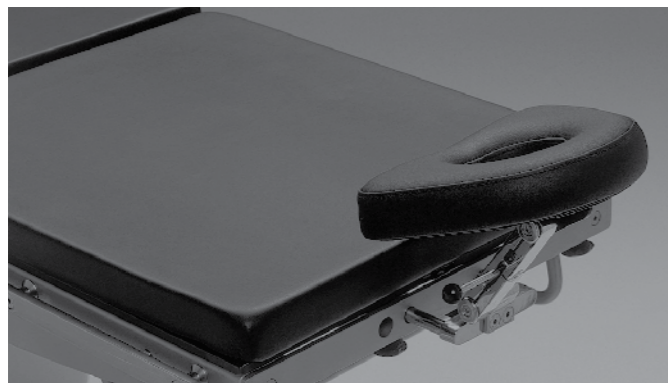


4. HEAD REST 18101

Suitable with all Merivaara operating tables with Beach Chair back rest when you need to perform other surgical procedures. Highly recommended for Smarter Practico Beach Chair.

- Size 300 x 408 x 80 mm
- Order No. 1000 18101





5. ENT-OPHTHALMOLOGY HEAD REST 18150

Double vertical articulation narrow head rest, perfect for ophthalmic surgical procedures.

- Size 225 x 290 x 60 mm
- Order No. 1000 18150

	2-rod
	SWL 15 kg
	200 kg
	2,8 kg



6. OPTHALMOLOGY HEAD REST 18151

Double articulated head rest for ophthalmology, non gas assisted. Double joint mechanism, wider range of adjustments.

- Size 225 x 290 x 60 mm
- Order No. 1000 18151

	2-rod
	SWL 15 kg
	200 kg
	3,25 kg



7. BEACH CHAIR HEAD REST 30126

Special multi directional head rest for shoulder and upper arm procedures. For Beach Chair back rest for shoulder and upper arm procedures. Unique sliding function with double joint mechanism, very wide adjustments in all directions.

- Suitable with Promerix 60525, Practico 30125 Beach Chair back rests
- Order No. 1000 30126

	2-rod
	SWL 12 kg
	225 kg
	4,6 kg



8. BEACH CHAIR HELMET HEAD REST 30128

Multi directional helmet with forehead strap, to be used for shoulder operations with Beach Chair back rest. Unique sliding function with double joint mechanism, can be locked into height position. Very wide adjustments in all directions.

- Suitable with Promerix 60525, Practico 30125 Beach Chair back rests
- Height adjustment 220 mm
- Horizontal adjustment 230 mm
- Order No. 1000 30128

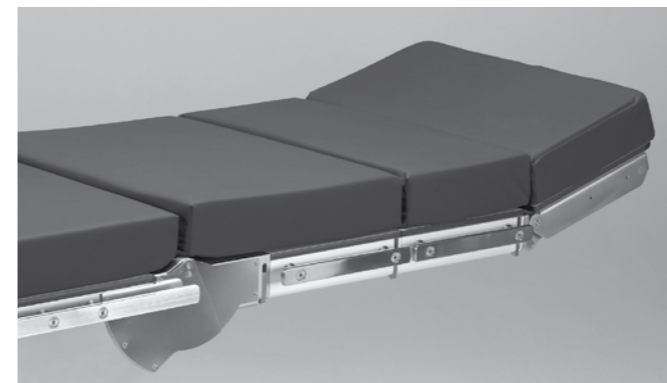
	2-rod
	SWL 11 kg
	180 kg
	4,3 kg



9. KIDNEY AND THORAX HEAD REST 60147

- Size 300 x 540 x 80 mm
- Suitable with Promerix and Practico
- Order No. 1000 60147

	2-rod
	SWL 11 kg
	180 kg
	5,2 kg
	VEF/IS pad



10. HEAD REST 60140

All purpose head rest for wide range of surgical applications.

- Size 540 x 300 x 80 mm
- Suitable with Promerix, Practico
- Accessory rail option: EUR or US
- Order No. 1000 60140

	Fluent
	SWL 14 kg
	325 kg
	6,3 kg
	VEF/IS pad



11. HEAD REST 60142

Double articulated gas spring assisted head rest with side rails for Promerix and Practico. Perfect for lateral positioning of the patient. Helps with spinal alignment.

- Size 540 x 300 x 80 mm
- Suitable with Promerix, Practico
- Including accessory rails (EUR, US)
- Order No. 1000 60142

	Fluent
	SWL 14 kg
	325 kg
	6,4 kg
	VEF/IS pad



12. HEAD REST ADAPTER 60146

Adapter for Promerix and Practico operating tables for fixing special head rests, e.g. 18150 for ophthalmology, Doro/ Mayfield Cranial Positioning System.

- Suitable with Promerix, Practico
- Order No. 1000 60146

	2-rod
	SWL 14 kg
	2,5 kg



13. PUSH BAR 20593

Push bar hand support for maneuvering the operating table and for supporting the end user's hands when activating head rest articulation.

- Suitable for 60140 and 60142 Head rests
- Suitable with Promerix and Practico
- Diameter Ø 16 mm
- Order No. 1000 20593

	0,8 kg
--	--------

DORO NEUROSURGERY

For daily use in non-imaging neurosurgical applications. Designed to support the weight of the patient's head.



14. DORO ALUMINIUM HEAD REST SYSTEM

3 pin rigid cranial fixation for supine, prone, lateral and sitting positions, excellent stability and flexibility (for sitting position Crossbar Adaptor is required). Cannot be used for any MRI Imaging.

- Fixing Adaptor 60146 required for Promerix and Practico
- Suitable with Promerix, Smarter Practico
- Order No. 1010 01100



15. DORO TEFLON HEAD REST SYSTEM

- Fixing Adaptor 60146 required for Promerix and Practico
- Suitable with Promerix, Smarter Practico
- Order No. 1003 04000



16. DORO LUCENT HEAD REST SYSTEM

- Excellent stability and flexibility.
- Suitable with Promerix, Smarter Practico
 - Order No. 1101 02000



17. DORO CERVICAL SPINE HEADREST SYSTEM

- Including:
- Base unit
 - Locking transitional member
 - Transitional member
 - Swivel adaptor radiolucent
 - Interface Skull Clamp Aluminium
 - Skull clamp
- Suitable with Promerix, Smarter Practico
 - Order No. 1004 00001



18. DORO CERVICAL SPINE HEADREST SYSTEM

- Including:
- Base Unit
 - Swivel Adaptor
 - Interface Skull Clamp Radiolucent
 - Skull clamp radiolucent
- Suitable with Promerix, Smarter Practico
 - Order No. 1004 00002



19. DORO CRANIAL SPINE HEADREST SYSTEM

- Including:
- Base Unit
 - Transitional Member Radiolucent
 - Swivel adaptor radiolucent
 - Skull clamp radiolucent
- Suitable with Promerix, Smarter Practico
 - Order No. 1004 00003



21. DORO HORSESHOE HEAD REST

Universal Horseshoe Headrest for adult or pediatric applications in prone or supine positioning. Mounted to a Doro Swivel Adaptor Aluminium or to the Doro Horseshoe Table Adaptor. Gel Pads interchangeable for adult or pediatric application. Permits vertical and lateral adjustments for proper patient positioning.

- Suitable with Promerix, Smarter Practico
- Order No. 1003 00900 Adult headrest with Extension Bar
1003 00800 Pediatric headrest with Extension Bar

20. DORO PARKBENCH SYSTEM

Perfect solution for lateral patient positioning. Its design allows a safe and comfortable positioning of the patient's arm, resulting in a reduced risk of hematomas. The Base Unit Parkbench is adjustable in width and attaches to almost all standard side rails.

- Including:
- Base unit parkbench
 - Doro Swivel Adaptor Aluminium
 - Doro QR3 Skull Clamp
 - Lateral arm board 11802
 - Accessory clamp 10300
 - Order No. 1030 01007

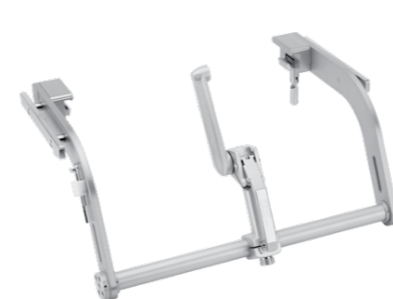
Positioning example:



22. DORO HORSESHOE PADS

Interchangeable gel pads for adult or pediatric.

- Order No. 1003 00910 Adult Right
1003 00911 Adult Left
1003 00810 Pediatric Right
1003 00811 Pediatric Left



23. DORO BASE UNIT PARK BENCH

- Order No. 1030 01006



24. DORO CERVICAL SPINE SUPPORT

- Neck support for anterior spine surgery.
- Suitable with Promerix and Smarter Practico
 - Order No. 1003 01200



25. DORO CROSSBAR ADAPTOR

- Perfect solution for all approaches requiring the patient to be in sitting position.
- Suitable with Promerix and Smarter Practico
 - Order No. 1003 00700



26. DORO SIDE RAIL ADAPTOR

- Width-adjustable universal neuro interface, fitting OR tables with bars up to 70 mm.
- Suitable with Promerix and Smarter Practico
 - Order No. 1003 01100



27. DORO REUSABLE SKULL PINS

- Order No. 1003 00500 Adult (3 pcs.)
1003 00400 Pediatric (3 pcs.)
1003 00450 Titanium, Pediatric (3 pcs.)
1003 00550 Titanium, Adult (3 pcs.)



28. DORO DISPOSABLE SKULL PINS

- Order No. 1003 00600 Adult (36 pcs.)
1003 00610 Pediatric (36 pcs.)
1003 00620 Titanium, Adult (36 pcs.) for radiolucent use
1003 00630 Titanium, Pediatric (36 pcs.) for radiolucent use



1. ARM REST 125

Padded arm board 125 includes a fixing clamp for mounting to the OP table side rail. Straps 110 included. Adjustable height, gas spring assisted angle adjustment. Rotates 180 degrees. Suitable for supine, lateral and prone positioning.

- Size 205 x 640 x 60 mm
- Suitable rails: EUR, US, UK
- Order No. 110125

	SWL 21 kg
	325 kg
	6,2 kg

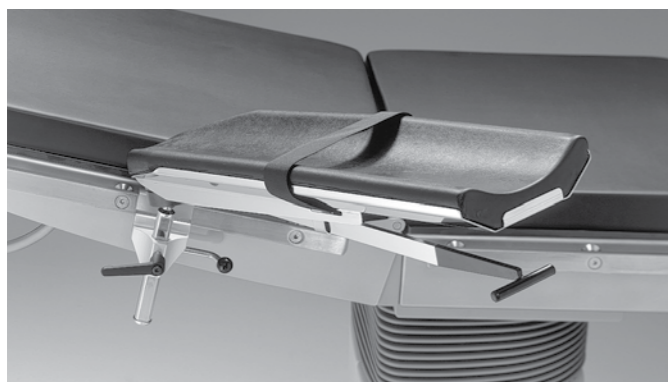


2. ARM RESTS 151

Arm rest pair 151 for ophthalmology is designed to support surgeon's arms during operation. Arm board turns 360 degrees. Height adjustment with joint screw on the side of the aluminium clamp.

- Size 85 x 300 x 40 mm
- Rod diameter 16 mm
- Suitable rails: EUR, US, UK
- Order No. 1000 00151

	SWL 10 kg
	225 kg
	2,4 kg



3. ARM REST 19180

Padded arm rest including fixed clamp and strap, adjustable height and angle (ball joint), easy to use with one lever on back side.

- Size 160 x 605 x 30 mm
- Suitable rails: EUR, US, UK
- Order No. 119180

	SWL 12 kg
	200 kg
	4,3 kg



4. ARM REST 19185

Padded arm rest with adjustable height and angle (ball joint), easy to operate and adjust by one lever. Arm board rotates 180 degrees. Fixing to accessory rail with radial clamp extra strap: Straps 110

- Size 160 x 605 x 30 mm
- Suitable rails: EUR, US, UK
- Order No. 119185

	SWL 12 kg
	200 kg
	4,3 kg



5. EASY ARMBOARD 11801

Easy arm board is fully translucent with a spring loaded design, it simply snaps onto the accessory rail and is released by a convenient lever accessible from both sides. Lightweight armboard rotates 180°.

- Size 160 x 660 x 50 mm
- Suitable rails: EUR, US, UK
- Order No. 11801

	SWL 16 kg
	225 kg
	2,2 kg



6. MULTI-TASK ARMBOARD 11802

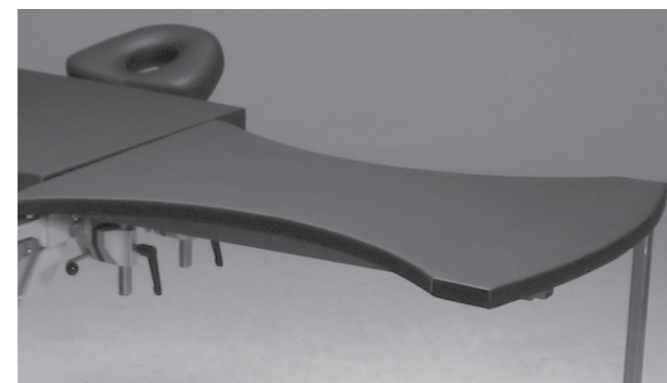
Arm rest provides arm support for prone, neuro, lateral and chair positions. A wide range of position flexibility, turns 360 degrees and is height adjustable. The premium durossoft pad ensures patient comfort. Including universal clamp 10300.

- Size 150 x 510 x 30 mm
- Suitable rails: EUR, US, UK
- Order No. 110802

	SWL 16 kg
	225 kg
	3,2 kg



“ We have a wide range of accessories for various applications. ”

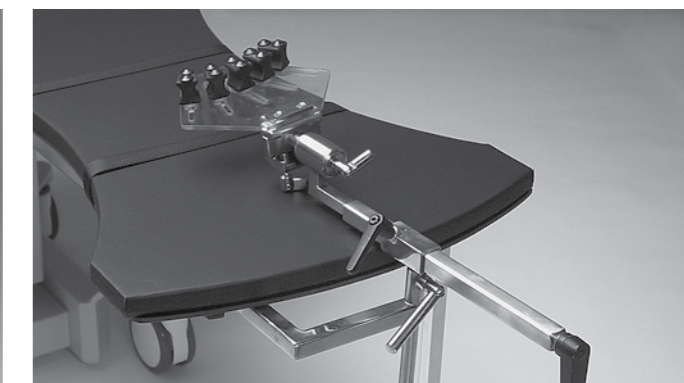


7. HAND OPERATING TABLE 10390

Special shaped radiolucent hand operating table with one support leg. Its curved design allows for the surgeon to get closer to the operating area without the need to lean forward. Includes mattress and clamps. Option to use traction device 10392 and hand fixation device 10393 (Weinberger-type).

- Size 850 x 520 x 30 mm
- Suitable rails: EUR, US, UK
- Order No. 110390

	SWL 15 kg
	200 kg
	8,8 kg



8. HAND TRACTION DEVICE 10392

Traction device 10392 for 10390 only.
• Order No. 1000 10392

	SWL 15 kg
--	---------------------



9. HUMERUS TRACTION KIT | 10438

Including:

- Counter traction post | 11438
- Traction device | 11443
- Weinberger hand fixation device | 10393
- Two clamps | 10300 for EUR, US and UK rails
- Suitable rails: EUR, US, UK
- Order No. | 110438



COUNTER TRACTION POST | 11438

TRACTION DEVICE | 11443

Weinberger hand fixation device.



HAND FIXATION DEVICE | 10393

Weinberger-type. Can be used only for hand operating table | 10390.



10. THE CARPA TABLE | 11912

Arm and hand table for carpal tunnel and other minor procedures. Unique cantilevered side frames create an extremely rigid surface that is completely radiolucent. Vertically adjustable 50 mm. Soft pressure management pad for optimum patient comfort and stability. Including two | 11043 clamps.

- Size 360 x 660 x 35 mm
- Suitable rails: EUR, US, UK
- Order No. | 110912



11. ARM AND HAND TABLE | 11911

Radiolucent top (350 x 800 mm). End rail provided for traction attachment. Mounts to side rail with two included clamps | 11043 (EUR/UK). For US rail 2 pcs clamps needs to be ordered separately. One support leg, which offers height adjustment from 830 mm to 1320 mm.

- Size 360 x 810 x 35 mm
- Suitable rails: EUR, US, UK
- Order No. | 110911



K-TEK STIRRUPS



1. K-TEK 350 STIRRUP PAIR | 12806

The K-tek Comfort 350 stirrup is designed for patients with a BMI of less than 29 with a large flexible lateral fin and can support patients up to 159 kg weight capacity.

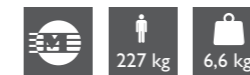
- Order No. | 1000 12806
- 1000 12811 for additional boot pad kit (one piece)



2. K-TEK 500 STIRRUP PAIR | 12812

The K-tek Comfort 500 stirrup is designed for patients with a BMI of greater than 29 with a large flexible lateral fin and can support patients up to 227 kg weight capacity.

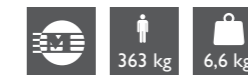
- Order No. | 1000 12812



3. K-TEK 800 STIRRUP PAIR | 12813

The K-tek Comfort 800 stirrup is designed for patients with a BMI of greater than 29 with a large flexible lateral fin and can support patients up to 363 kg weight capacity. The boot has wider boot design to facilitate a larger mass.

- Order No. | 1000 12813



4. K-TEK 250 STIRRUP PAIR | 12814

The K-tek 250 non-finned is a junior stirrup designed for patients aged 6-12 years old but also effective in smaller or lighter adults weighing up to 113 kg.

- Order No. | 1000 12814



“

Provides unparalleled pelvic site access, larger boot sizing and better infection control.

Clamp (11043) compatible with stirrups. See page 6.



5. KYRA BLUE 400 STIRRUPS WITH SECURE-LOK™

The K-tek 400 stirrup is designed for bariatric patients.

- Non-finned boot
- Can be used with robotic surgery
- Easy to clean durable silicone straps
- Includes more padding to reducing pressure
- Increased range of motion
- Order No. | 1000 12815

6. K-TEK STIRRUP CART

- Base width: 549,3 mm x 549,3 mm
- Cart height: 1035 mm
- Easy to push and pull with ergonomic handles
- Stirrups secured to prevent damage
- Clamp storage compartment
- Safely holds most stirrups
- Locking casters
- Order No. | 1000 12808



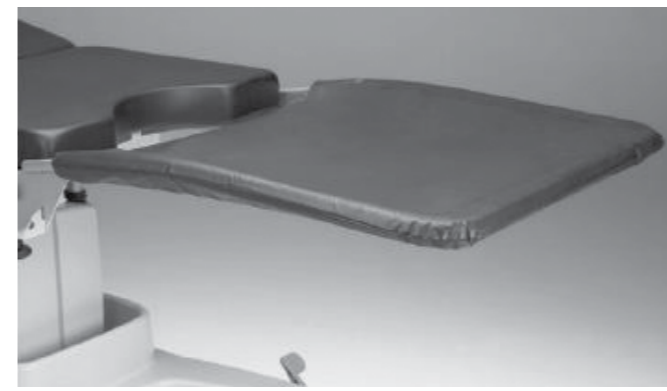


7. ARTHROSCOPIC LEG HOLDER 10353

Knee positioning device for arthroscopy, including 10308 clamp.

- Requires radial clamp for fixing
- Suitable rails EUR, US, UK
- Order No. 110353

	SWL 40 kg		215 kg		4,8 kg
--	--------------	--	--------	--	--------



13. LIGHT FOOT REST 18001

Lightweight single piece leg section is designed for the pre-positioning of the patient before being placed into the lithotomy position, easy to remove and attach due to its lightweight

- Suitable with Rapido
- Order No. 1000 18001

	2,4 kg
--	--------

14. LIGHT FOOT REST 60201

Rigid lightweight single piece leg section for the pre-positioning of the patient before being placed into the lithotomy position. Easy to remove and attach due to its lightweight.

- Suitable with Promerix, Practico
- Order No. 1000 60201

	SWL 50 kg		180 kg		Fluent
	5,2 kg		VEF pad		



8. LEG REST PAIR 20118

Goepel type leg rests are padded and with velcro straps. Wide trajectory thanks to its ball joint. Stainless steel. Applications: Lithotomy or as an over arm rest when patient is in lateral position. Including universal clamps 10300 (2 pcs).

- Order No. 110118

	SWL 29 kg		225 kg		5,1 kg
--	--------------	--	--------	--	--------



9. POWERED LEG HOLDERS 60482

Provides excellent patient comfort and precise surgical positioning, the patient can be positioned from the supine position to lithotomy with ease. The VEF-pad reduces pressure. Velcro straps for security. Integrated clamps included. Adjustment ranges: Support arm (vertical) -95 – +70 degrees, supports (horizontal and vertical) 360 degrees.

- Suitable with Promerix and Smarter Practico (replacing a leg section)
- Order No. 1000 60482

	275 kg		3 kg
	VEF pad		



15. LIGHT NON-MOTORIZED LEG SECTION 60203

Light leg section improves work ergonomics of the OR staff. It is very light and easy to handle. Lightweight leg section attaches to the operating table with Fluent locking mechanism.

- Suitable with Promerix, Smarter Practico
- Order No. 1000 60203

	SWL 40 kg		4,9 kg		Fluent
--	--------------	--	--------	--	--------



16. LIGHT MOTORIZED LEG SECTION 60204

Light leg section improves work ergonomics of the OR staff. It is very light and easy to handle. Lightweight leg section attaches to the operating table with Fluent locking mechanism.

- Suitable with Promerix, Smarter Practico
- Order No. 1000 60204

	SWL 40 kg		4,9 kg		Fluent
	VEF pad				



10. ARTHROSCOPIC STRESS POST 12530

A levering fulcrum for improved access to the medical compartment of the knee. Mounts to accessory rail. Pad 210 x 90 mm. Height adjustment 59–290 mm.

- Including universal clamp 10300
- Order No. 110530

	SWL 1,5 kg
--	---------------



11. TOTAL KNEE STABILIZER 12585

Convenient, stable device to support the flexed leg during total knee procedures.

- Includes pad and clamp 11043
- Suitable rails: EUR, US, UK
- Order No. 110585

	SWL 53 kg		225 kg		1,5 kg
--	--------------	--	--------	--	--------

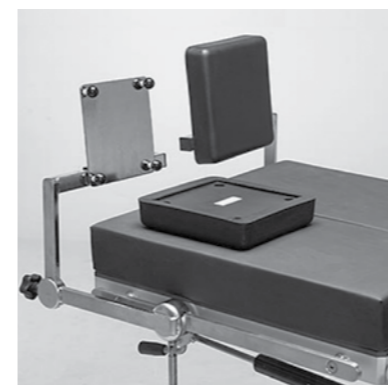


12. THIGH HOLDER 12012

For securing the patient in the lateral position, the curvature of the thigh holder ensures patient comfort and stability.

- Includes universal clamp 10200
- Rod diameter 16 mm
- Suitable rails: EUR, US, UK
- Order No. 1000 12012

	SWL 40 kg		325 kg		1,8 kg
--	--------------	--	--------	--	--------

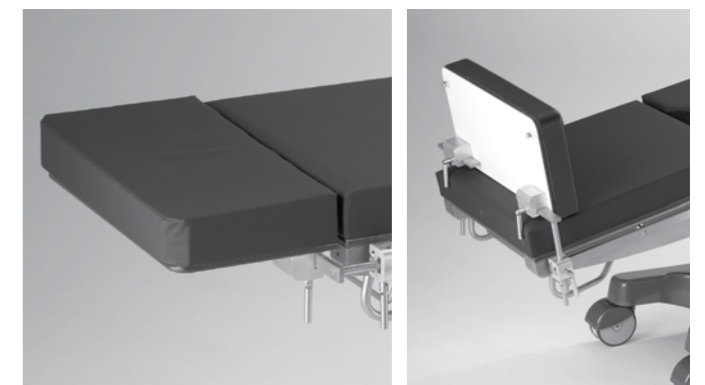


17. FOOT SUPPORTS 10296

Intended to be used on split leg sections as well as on one piece leg section. The supports can be adjusted along the operating table to support patients of different length.

- Total width of one foot support 290 mm
- Total length of one foot support 330 mm
- Adjustable height 320–440 mm
- Order No. 1000 10296

	SWL 6 kg		200 kg		IS pad
--	-------------	--	--------	--	-----------



18. FOOT REST / TABLE EXTENSION 20114

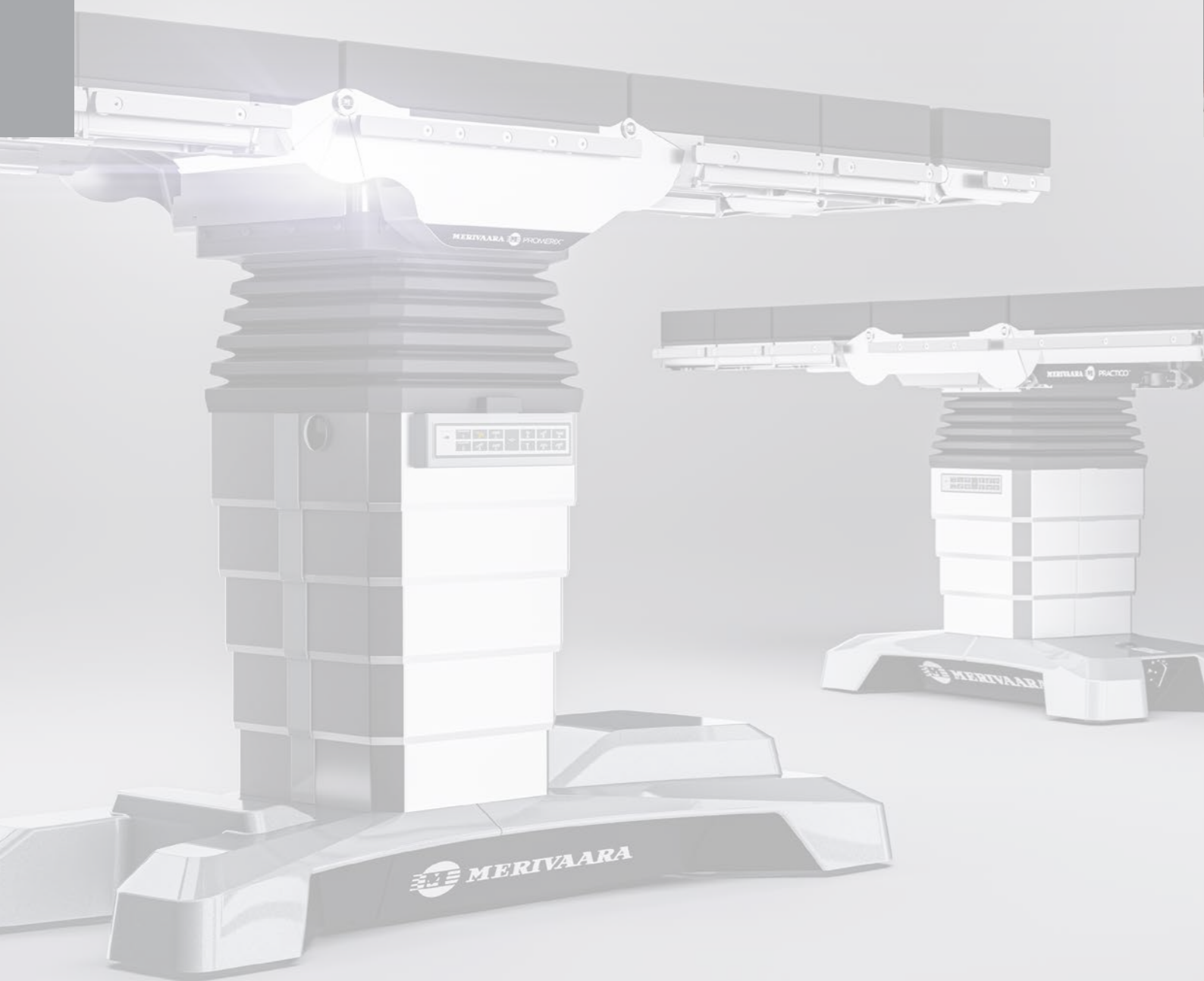
To prevent the patient from sliding during procedures requiring reverse Trendelenburg. Can be folded down during patient preparation.

- Order No. 1000 20114

	SWL 6 kg		VEF/ IS pad
--	-------------	--	-------------------

“

We have a wide range of accessories for various applications. Learn more on our websites www.merivaara.com



Health Technology with a Human Touch



ALL OUR MATTRESSES COMPLY WITH FOLLOWING REGULATIONS:

- Fire retardancy BS7177:2008
- Conductivity/antistatic BS2050
- Systemic toxicity ISO 10993/11
- Irritation & sensitization ISO 10993/10
- Fully Latex free

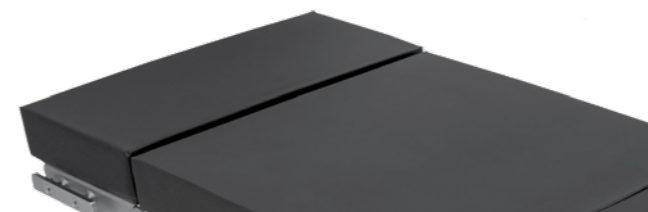
WE OFFER TWO DIFFERENT KIND OF MATTRESSES:

Visco-elastic foam (VEF) with premium patient comfort against decubitus ulcers. Surface material is ultrasonically welded to prevent fluid penetration.

VEF
pad

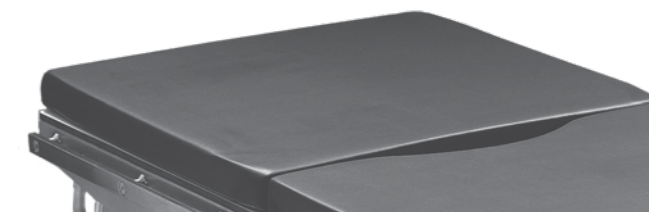
Integral skin (IS) mattresses are carefree solutions for demanding environment.

IS
pad



VEF – VISCO ELASTIC FOAM

- Thickness: 80 mm
- Surface material: Vapour permeable PU coated 2-way stretch nylon, sonically welded on all seams
- Interior is made of 2 layers: 50 mm visco elastic foam and 30 mm cold cure foam
- Maximized patient comfort and safety



IS – INTEGRAL SKIN

- Thickness: 65 mm
- Surface: Hardened PUR foam with leather effect
- Interior: Softened PUR foam
- Waterproof
- Very resistant to wear



“ Gel pads – Suitable for all Merivaara operating tables

1. CLOSED HEAD RING PADS

- 140 x 60 x 35 mm Order No. 1000 66002
- 200 x 75 x 45 mm Order No. 1000 66003



2. OPEN HEAD RING PADS

- 140 x 60 x 35 mm Order No. 1000 66012
- 200 x 75 x 45 mm Order No. 1000 66013



3. HEAD PAD

- 270 x 230 x 70 mm Order No. 1000 66110



4. CONTOURED HEADREST

- 190 x 190 x 60 mm Order No. 1000 66081



5. PRONE HEADREST

- 280x230x145 mm Order No. 1000 66111



6. HEEL SUPPORT PADS, PAIR

- 200x110x70 mm Order No. 1000 66031



7. PATIENT POSITIONER

- 380x125x63 mm Order No. 1000 66096



8. CHEST ROLL WITH FLAT BOTTOM SURFACE

- 405x150x100 mm Order No. 1000 66042



9. ARMBOARD PAD

- 600x125x20 mm Order No. 1000 66072



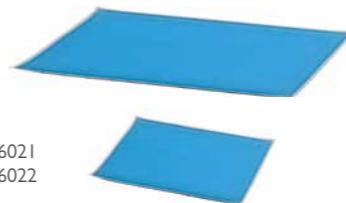
10. CRUTCH STIRRUP PADS, 2 PCS

- 315x220x10 mm Order No. 1000 66801



11. TABLE PADS

- 500x500x10 mm Order No. 1000 66021
- 1170x500x10 mm Order No. 1000 66022



12. TRANSFER MATTRESS 19400

Used for transferring a patient between different platforms. Easy to use, easy to wipe clean, waterproof material. Color dark blue. CE marked. Intended use: transferring the patient from one platform to another. Not intended for lifting the patients.

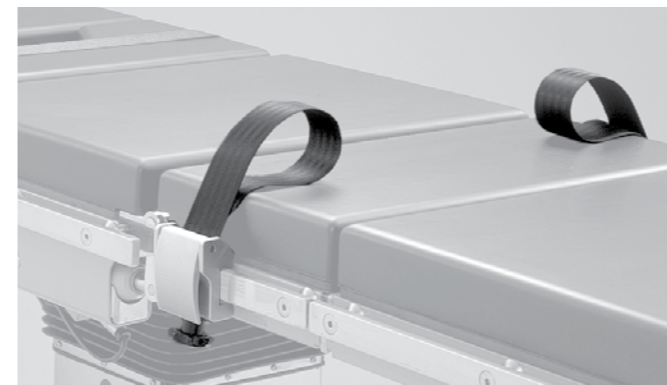
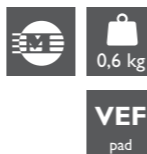
- Size 550 x 1800 mm, thickness 30 mm
- Order No. 1000 19400



13. D-PILLOW 19497

Visco-elastic (VEF) D-pillow for patient positioning. Often placed on front side of lower leg when patient is in prone positioning.

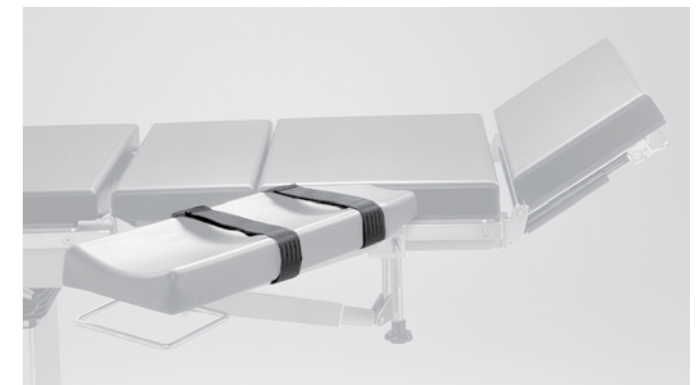
- Size 210 x 490 mm
- Order No. 1000 19497



1. WRIST STRAP PAIR 107

For securing the patient's wrists, Fixed to the accessory rail with clamps. Safety belt type. Weight 0.3 kg (pc)

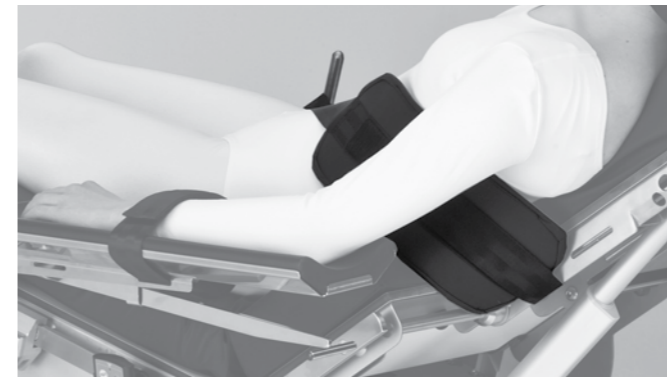
- Suitable rails: EUR
- Order No. 1000 00107



2. STRAP PAIR 110

Straps (pair) for arm rests 125, 19180 and 19185.

- Length 800 mm
- Order No. 1000 00110



3. BEACH CHAIR SUPPORT BELT 20127

To support patient in Beach Chair during operation. To be used with beach chair back section 100 060 125.

- Suitable with Promerix, Smarter Practico beach chair solutions
- Width of the pad 140 mm, length of the pad 370 mm
- Width of the strap 50 mm
- Including clamp and vertical support pole
- Height adjustment 300 mm
- Suitable rails: EUR, US, UK
- Order No. 1000 20127



4. LEG-BODY STRAP 10886

Wide leg and body strap, for safe patient positioning. Fixing with velcro fastening.

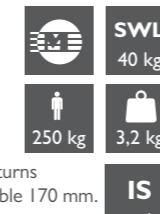
- Total length: 2440 mm, length of the strap: 1220 mm
- Width of the strap: 46 mm
- Suitable rails: EUR, US, UK
- Order No. 1000 10886



5. VERTICAL SUPPORTING ROLL 10368

Patient Positioning device. Total length 662 mm, vertically adjustable 350 mm. Horizontally turns 360 degrees. Horizontally adjustable 170 mm.

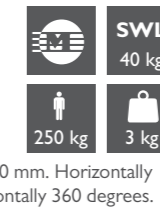
- Pad size: length 270 mm, diameter 133 mm
- Requires clamp 10301 for fixing, sold separately
- Suitable rails: EUR
- Order No. 1000 10368



6. HORIZONTAL SUPPORTING ROLL 10369

Comfortable supporting roll for knee operations. Total length 454 mm, vertically adjustable 350 mm. Horizontally adjustable 175 mm. Turns horizontally 360 degrees.

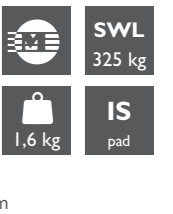
- Pad size: length 300 mm, diameter Ø 133 mm
- Requires clamp 10301 for fixing, sold separately
- Order No. 1000 10369



7. SIDE SUPPORT 120

Lateral Side support with a clamp and a molded padding. Adjustable height 120 mm. Horizontal adjustment 60 mm.

- Accessory rod diameter Ø 16 mm
- Suitable rails: EUR
- Order No. 1000 00120





8. SHOULDER SUPPORT PAIR 19129

Used for deep trendelenburg of patient, for example gynecology and urology procedures. Padded. Adjustable angle and distance to shoulders. Rotates 360 degrees. Adjustable distance (width) 55–180 mm.

- Includes clamps
- Suitable for rails: EUR, US, UK
- Order No. 1000 19129

1,6 kg
180 kg



9. ARM-LEG SHIELD 60485

Easy to use. Can be used on any table. Padded leg-/arm shield for safe patient positioning. Slides in between OP Table and side rail.

- Pad size: 300 mm x 120 mm x 60 mm
- Order No. 1000 60485

0,7 kg
325 kg



10. RECTANGULAR LATERAL BRACE 11652

Provides secure and comfortable positioning for hip and other procedures requiring optimum lateral stability. The durasoft pads provide soft cushioning of bony prominences. The swivelling heads conform to anatomical contours, can be securely locked for precise positioning. Rotates 360 degrees.

- Includes a mounting clamp 11043 for EUR and UK rails
- For US rails requires clamp 100 011 652 for fixing, sold separately
- Order No. 110652

SWL 56 kg
181 kg
1,7 kg

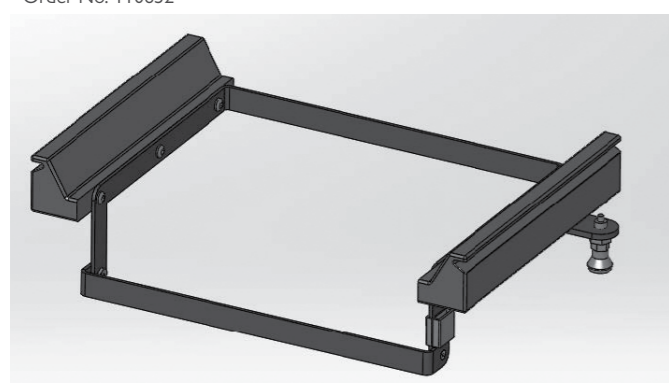


11. ROUND LATERAL BRACE 11651

Pubis support for lateral positioning.

- Suitable rails: EUR, US, UK
- Order No. 110651

181 kg

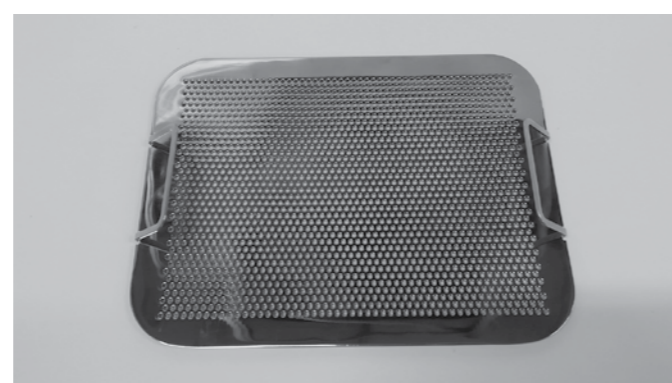


1. BOWL HOLDER 61580

Holder for 6 l bowl.

- For Merivaara bowls 100201501 and 100201502
- Only or Promerix table's 40-section
- Stainless steel
- Order No. 1000 61580

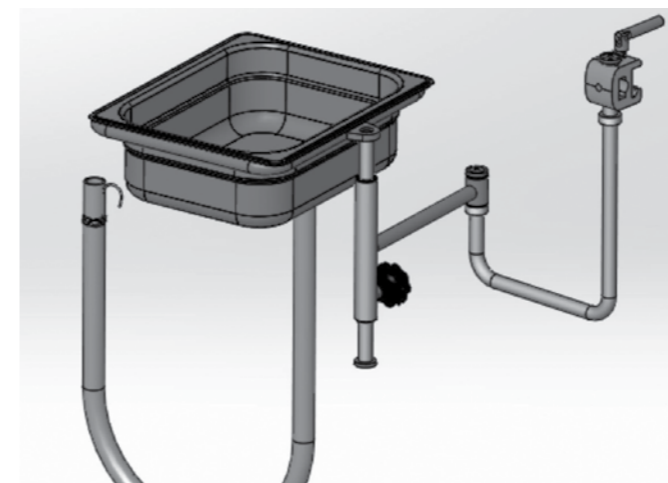
2 kg



2. SCREEN 18159 FOR 6 L BOWLS

- Size 220 x 295 mm
- Used for draining into a bowl without a tube
- Order No. 1000 18159

0,75 kg



3. BOWL 6 L WITH DRAINAGE 201572

- Including drainage tube and connection arm
- Size 319 x 267 mm
- Volume 6 litres
- Drainage: silicon tube Ø 19 mm, length 1000 mm
- Stainless steel
- Suitable for rails: EUR, US
- Order No. 1002 01572

4 kg



4. BOWL 6 L W/O DRAINAGE 201571

- Including connection arm
- Size 319 x 267 mm
- Volume 6 litres
- Stainless steel
- Including clamp
- Suitable for rails: EUR, US
- Order No. 1002 01571

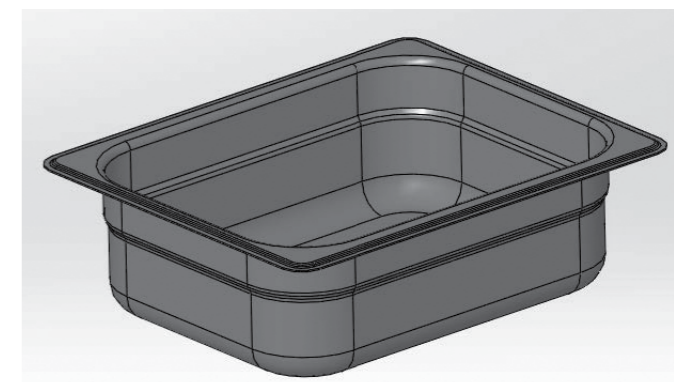
4 kg



5. BOWL 6 L WITH DRAINAGE 201502

- Including drainage tube
- Without holder
- Size: 295 x 225 x 100 mm
- Volume 6 litres
- Drainage: silicon tube Ø 19 mm, length 1000 mm
- Suitable for rails: EUR, US
- Order No. 1002 01502

181 kg



6. BOWL 6 L W/O DRAINAGE 201501

- Without holder
- Size: 295 x 225 x 100 mm
- Volume 6 litres
- Suitable for rails: EUR, US
- Order No. 1002 01501

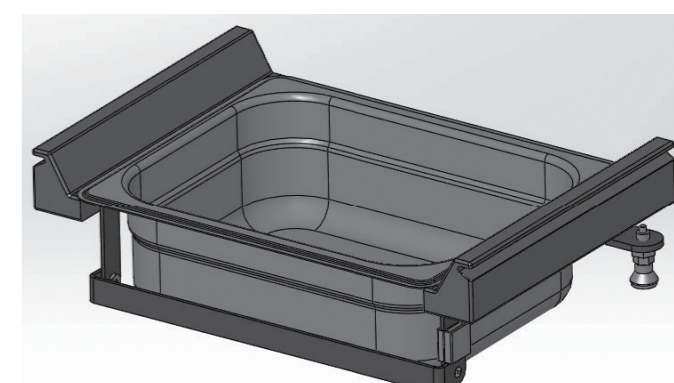
181 kg



7. HOLDER AND BOWL WITH DRAINAGE 61582

- Size 396 x 265 x 127 mm
- Volume 6 litres
- Drainage: silicon tube Ø 19 mm, length 1000 mm
- Stainless steel
- Only or Promerix table's 40-section
- Order No. 1000 61582

2 kg



8. HOLDER AND BOWL 6 L W/O DRAINAGE 61581

- Volume 6 litres
- Size 396 x 265 x 127 mm
- Only or Promerix table's 40-section
- Stainless steel
- Order No. 1000 61581

TRENGUARD HYBRID TRENDELENBURG PATIENT RESTRAINT



“
TrenGuard is an advanced patient positioning solutions for gynecological and urological procedures and robotic surgery.

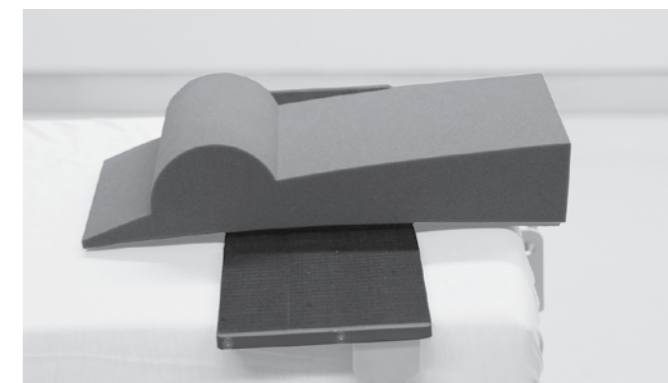
- No sliding – patented “Speed Bump” bolster keeps patients of all sizes from sliding
- No shoulder braces
- Soft lateral stabilizing pillows control body mass shift
- No chest straps
- Promotes normal ventilation
- Efficient and compatible

- Accommodates under-patient devices
- Simplifies patient repositioning
- Less waste
- Re-usable Lateral stabilizing pillows mean less medical waste
- Lower cost per procedure
- System easily accommodates patients up to 250 kg



1. TRENGUARD 450 HYBRID STARTER PACKAGE STANDARD

- Including:
- Patient Support Frame
 - Clamps for EUR rails
 - Single-use soft head stabilizing pillow and Speed Bump bolster
 - Lateral Stabilizing Pillows
- Order No. A43824200



2. TRENGUARD SINGLE-USE WEDGE PACKAGE

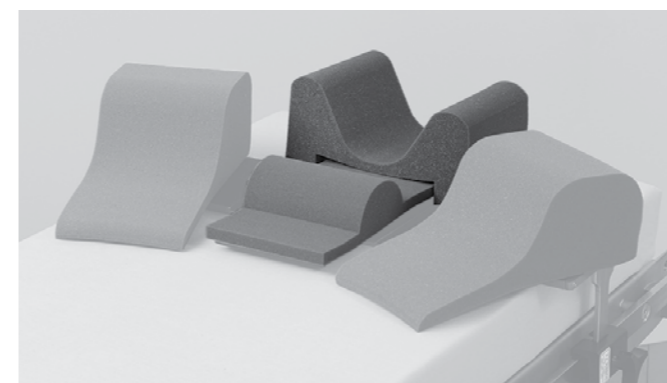
- For bariatric patients and those without discernible cervical notch.
- Including:
- 12 single-use integrated wedge and head stabilizing pillows
- Order No. 56401



SWL
250 kg



single-use



3. TRENGUARD SINGLE-USE PACKAGE

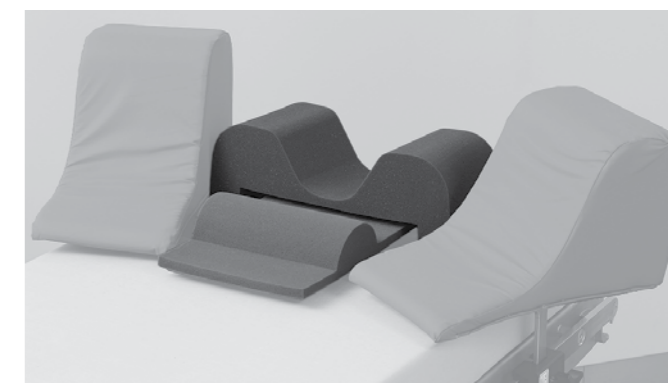
- Including:
- 12 single-use Speed Bump bolsters which prevent patient sliding
 - 12 single-use soft head stabilizing pillows which control side-to-side rocking of the head
- Order No. 55201



SWL
200 kg



single-use



4. TRENGUARD SINGLE-USE PACKAGE

- For bariatric patients.
- Including:
- 12 single-use Speed Bump bolsters which prevent patient sliding
 - 12 single-use soft head stabilizing pillows which control side-to-side rocking of the head
- Order No. 56201



SWL
250 kg



single-use



5. TRENGUARD REUSABLE PACKAGE

- Including:
- One reusable soft lateral stabilizing pillow control body mass shift during transition to Trendelenburg
- Order No. 55251



SWL
200 kg

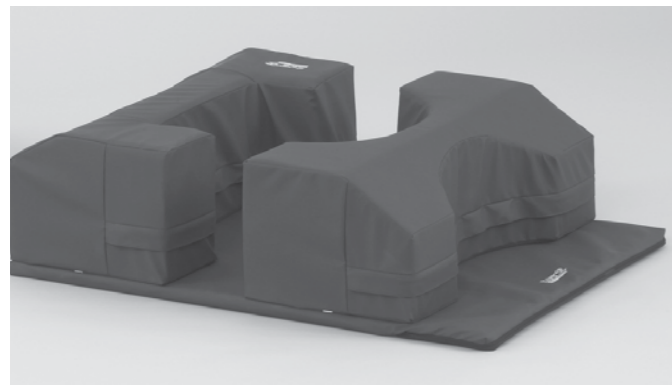


6. TRENGUARD REUSABLE PACKAGE

- For bariatric patients.
- Including:
- One reusable soft lateral stabilizing pillow to control body mass shift during transition to Trendelenburg
- Order No. 56251



SWL
250 kg



7. PRONE POSITION MATTRESS SET 60750

Mattress set for prone position for spinal procedures.

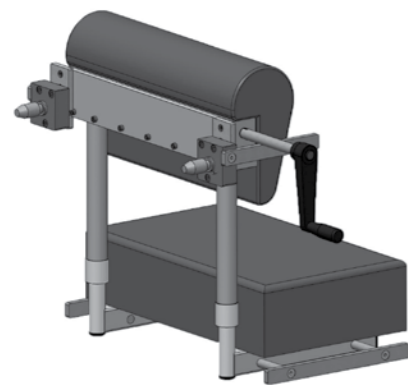
- Order No. 1000 60750



8. PRONE POSITION HEAD PILLOW 60751

Prone Face mattress with cutouts for eyes, nose and mouth. With intubation cut out.

- Order No. 1000 60751



9. PROCTOLOGY ATTACHMENT 30154

Allows the surgeon good access to the patient.

- Suitable with Promerix and Practico
- Order No. 1000 30154

SWL
180 kg

18 kg

Fluent



10. SPINE FRAME 12805

Spine Frame ("Wilson Frame"), including Deluxe foam pads and a crank handle.

- Size 460 x 760 mm
- Fixing straps included
- Height adjustment 180–250 mm without pads, with pads 100 mm more
- Order No. 1000 12805



SWL
227 kg

12,1 kg

12. SPINAL FLOATING SYSTEM

Cost-effective table top platform that fits all standard operating tables. The frame is fully radiolucent and the body supports allow the abdomen to hang freely to reduce venal pressure.

- Including:
- Spine Frame
 - Spine Frame Straps (set of 4)
 - Prone Head Support System
 - Comfort Chest Support – Standard (pair)
 - Comfort Hip Supports – Standard (pair)
 - Comfort Skin Shin Support
 - Knee Ring (pair)
 - Pad (2 Inch)
 - Prone Face Cushion (box of 10)
 - Comfort Covers 3 Piece Set (Box of 6 Sets)*

- Order No. CSM-2715-G

250 kg



13. CS COMFORT COVERS 30 MM

- 3 Piece Set (Box of 6 Sets)
- Order No. CSM-2606-1



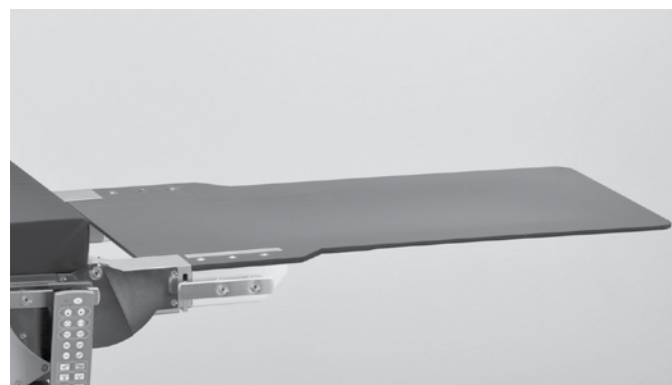
14. CS PRONE HEAD SUPPORT SYSTEM

- Order No. CSM-2560-M



15. CS PRONE FACE CUSHION

- Box of 10
- Order No. CSM-2510



11. CF-BACKREST 60502

Carbon Fibre backrest with VEF mattress.

- Suitable with Promerix
- For SWL check user manual
- 360 degree imaging possibility
- Size 1200 x 540 mm
- Order No. 1000 60502

VEF
pad

16. iFix STARTER KIT

The optimal patient stabilization system. It is simple, secure and clean. Can be used for all types of surgery.

- Order No. R01 14K01



single-use

DISPOSABLE PRODUCTS

- R01 14C05 iFix Fleece 5 30 m roll
- R01 14C15 iFix Fleece 15 200 m roll
- R01 14C50 iFix Fleece 50 30 m roll

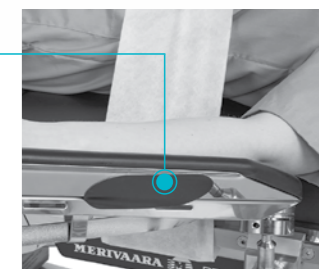
- R01 14CX5 iFix Head Mask XS 10 pieces
- R01 14C05 iFix Head Mask S 10 pieces
- R01 14C0M iFix Head Mask M 10 pieces
- R01 14COL iFix Head Mask L 10 pieces
- R01 14CXL iFix Head Mask XL 10 pieces



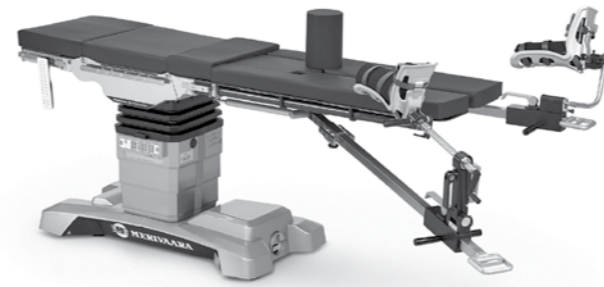
REUSABLE PRODUCTS

- R01 14A15 iFix Patch 15 8 pieces
- R01 14A25 iFix Patch 25 6 pieces
- R01 14A50 iFix Patch 50 4 pieces
- R01 14A75 iFix Patch 75 4 pieces

- R01 14B50 iFix Patch Adapter 50 4 pieces
- R01 14B01 iFix Side Rail Adapter 4 pieces
- R01 14B02 iFix Side Rail patch 10 pieces



FLEXION TRAUMA EXTENSION DEVICE



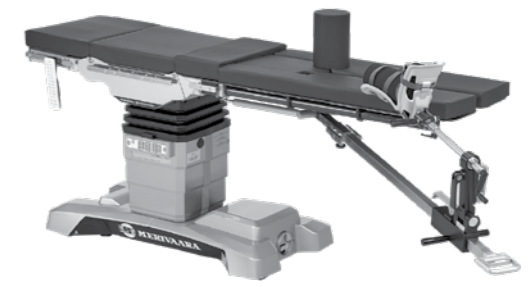
17. FLEXION MULTIPURPOSE SYSTEM

Flexion orthopedic extension device for Promerix operating table for traction of the lower extremities. To be mounted to the head end of the table. Unimpeded access for the C-arm and smooth articulation.

Including:

- Extension bar, 1 pc.
- Additional Extension bar, 1 pc.
- Traction unit to Extension bar, 1pc.
- Gross Traction unit to Add. extension bar, 1pc.
- Traction boot, adult, 2 pcs.
- Shaped foam padding for Flexion traction boot (adults) 2 pc.
- Pelvic support, 1 pc.
- Buttocks support with mattress
- Counter traction post (3 diff. size of pads)
- Lightweight Divided Carbon Fibre Leg plates (pair)
- Accessory rail elongation 19128 (needed to attach Stirrup or Knee Crutch; EUR or US rails, please specify)
- Flexion trolley
- Package for Flexion orthopedic extension device

• Order No. 1005 19450



18. FLEXION BASIC TRAUMA SYSTEM

Flexion orthopedic extension device for Promerix operating table for traction of the lower extremities (Excluding good leg extension bar and boot). To be mounted to the head end of the table. Unimpeded access for the C-arm and smooth articulation.

Including:

- Extension bar, 1 pc.
- Traction unit, 1pc.
- Traction boot, adult, 1 pc.
- Shaped foam padding for Flexion traction boot (adults) 1 pc.
- Pelvic support, 1 pc.
- Buttocks support with mattress
- Counter traction post (3 diff. size of pads)
- Lightweight Divided Carbon Fibre Leg plates (pair)
- Accessory rail elongation 19128 (needed to attach Stirrup or Knee Crutch; size EUR, US, or UK)
- Flexion trolley
- Package for Flexion orthopedic extension device

• Order No. 1005 19400

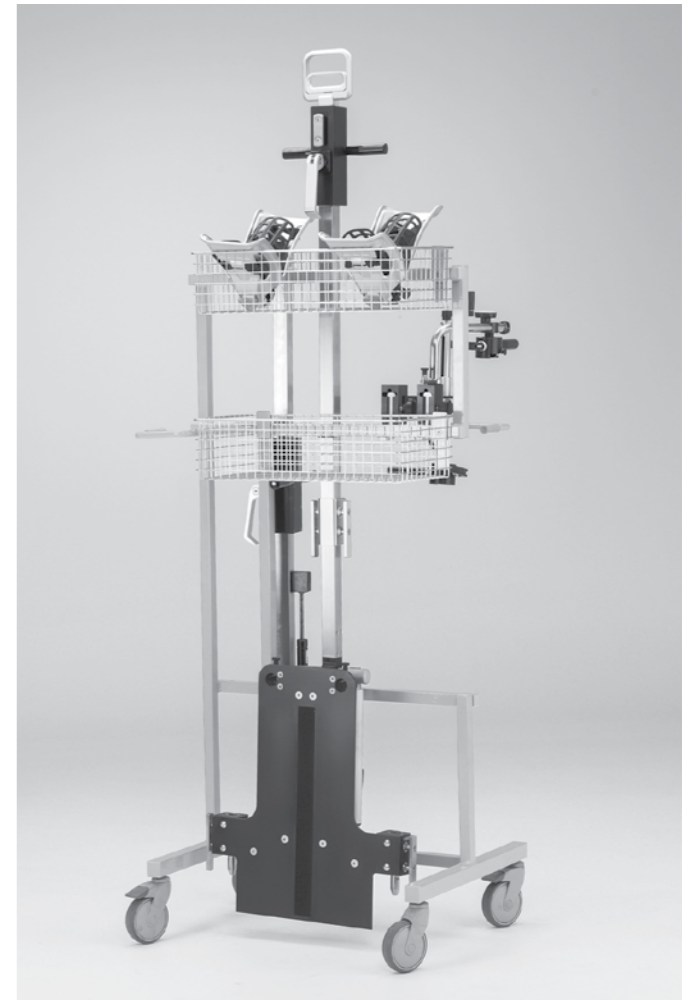
SWL
135 kg
VEF/
IS
pad
Fluent

SWL
135 kg
VEF/
IS
pad
Fluent

19. FLEXION TROLLEY 519550

Flexion trolley for storage and transport of Flexion, trolley is also used in the docking process. Compatible with Tibia nailing kit 519560.

- 4 castors Ø 125 mm, 2 with foot brakes
- Order No. 1005 19550



single-use

20. TRACTION BOOT PADDING, ADULT

Single-use for Flexion traction boot.

- Order No. A43134100 1 piece
- A43322100 10 pieces



21. TRACTION BOW CLAMP

Clamp for traction bows to Flexion.

- Order No. A43034600

“
Setting up Flexion
is as easy as one, two, three...”

SPECIAL ROTEXSHOE® TRACTION BOOTS

“ The Special RotexShoe Traction boots have been adapted to compliment the Merivaara Flexion Extension Device.

Stability and flexibility are not always mutually exclusive, but rather properties which are of major importance, particularly in the medical field. They guarantee safe and individual patient treatment, and expand surgical possibilities.

The Special RotexShoe Traction boots offer all of that, and easy handling makes your work easier.

- Increased hygiene standards with the use of disposable padding
- Secure positioning, thanks to a stable, firmly, fixable footrest, padding and belt combination
- Safe grip under heavy loads, tensile strength of up to 80 kg
- No costly additional padding necessary
- Fast positioning time of the extension shoe
- Uniform belt pressure, to reduce shearing forces
- Even pressure distribution on the skin
- Light, highly resistant footrest
- Easy to clean
- Latex free
- Compatible with all standard extension tables
- Easy, intuitive handling



28. TIBIA NAILING KIT 519560

Recommended to be used with Flexion trolley 519550, to be ordered separately.

Including:

- Rail extension 19128
- Radial clamp 10300
- Nailing support A43592100
- Knee Crutch A43543900
- Traction device A43375600
- Stirrup Clamp 19114

• Order No. 1005 19560



22. TRACTION BOOT – ROTEXSHOE WITH TRIANGULAR INTERFACE

Does not include disposable inlay, to be ordered separately.

• Order No. RO.0020.2020.MV



23. DISPOSABLE INLAY INCL. MOUNTING BRACKETS

- 10 pieces
- Order No. RO.0148.2018



24. TRACTION BOOT – ROTEXSHOE WITH TRIANGULAR INTERFACE, SMALL

Does not include disposable inlay, to be ordered separately.

• Order No. RO.0020.2020.MV.S



25. DISPOSABLE INLAY INCL. MOUNTING BRACKETS, SMALL

- 12 pieces
- Order No. RO.0148.2018.S

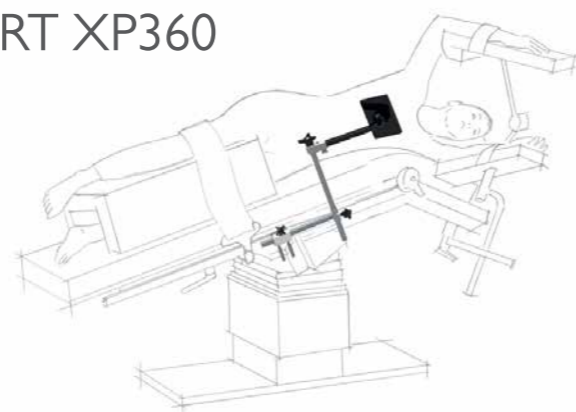


RADIOLUCENT LATERAL SUPPORT XP360

Offers the possibility to position the patient safely and to optimally assess the surgical site during intra-operative imaging.

Disposable pads with high strength to reduce the risk of germ transfer and for safe and stable storage with large area pressure distribution to avoid pressure damage and easy cleaning.

- Optimized imaging thanks to radiolucent materials
- Firm hold in lateral position
- Individual adjustment through a ball joint
- Available in two different sizes
- Quickly mountable
- Easy cleaning
- Reduced risk of germ transfer



26. RADIOLUCENT LATERAL SUPPORT XP360

• Order No. OTZ.0032.2017



27. DISPOSABLE PADS FOR XP360

- Order No. OTZ.0100.2019 for set of disposable pads (10 pcs small, 10 pcs large)



29. FEMORAL COUNTER TRACTION POST 519512

Femoral counter traction post for lateral position with height adjustment with Flexion.

• Order No. 1005 19512



30. KNEE SUPPORT SET

Knee support with radial clamp, carbon fibre bar and mattress.

- Diameter Ø 18 mm
- Size 290 mm, Ø 120 mm
- Bar length 581 mm
- Mattress thickness 35 mm

• Order No. A43134200



31. CHILDREN'S TRACTION BOOT

Traction boot for children used with Flexion.

- Foot plate dimensions 72 x 177 mm
- Leather boot with wollen lining, secured with 3 strap buckle fixing system.
- Order No. A43226100

ORTHOPAEDIC EXTENSION DEVICE 19300



“ Especially suitable for treatments when high safe working load is needed.

32. ORTHOPAEDIC EXTENSION DEVICE 19300

Orthopaedic extension device with high safe working load for Promerix and Practico operating tables for traction of the lower extremities. To be mounted to the foot end of the table.

Including:

- Extension bars, 2 pieces
- Support feet for extension bars, 2 pieces
- Screw tensioners, 2 pieces
- Order No. 1000 19300
- Leg plates 19348
- Traction boots (adults), 2 pieces
- Pelvic support with pad, 1 piece
- Perineal post with pad, 1 piece

SWL
225 kg

Fluent

VEF
pad

Includes also leg plates 19348 for supporting legs during the anaesthesia before the final positioning.



33. CALF SUPPORT 19126

With clamp and pad.

- Pad size 500 x 180 mm
- Height adjustment 110–265 mm
- Rod diameter Ø 19 mm
- Suitable with 19300
- Order No. 1000 19126

225 kg

3,6 kg



34. ORTHOPAEDIC DEVICE CART 19285

Cart for Orthopaedic device.

- Size 547 x 809 mm, height 761 mm
- Suitable with 19300
- Order No. 1000 19285



35. WIDE ARM RAIL CLAMP 19135

Clamp with an accessory rail, for extension bar.

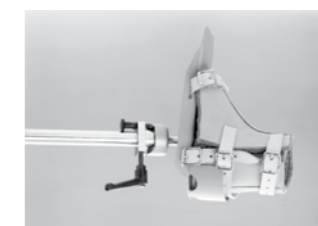
- Length 160 mm
- Suitable with 19300
- Order No. 1000 19135



36. EXTENSION BAR D19 CLAMP 19134

Accessory holder with U-shape clamp for extension bar.

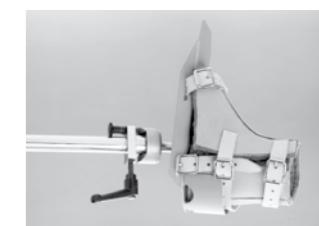
- Hole diameter Ø 19 mm
- Suitable with 19300
- Order No. 1000 19134



37. CHILDRENS TRACTION BOOTS 19131

Leather boots (pair), bottom plates are attached to the screw tension device with a ball joint.

- Size 80 x 180 mm, height 230 mm
- Suitable with 19300
- Order No. 1000 19131



38. ADULTS TRACTION BOOTS 19130

Leather boots (pair), bottom plates are attached to the screw tension device with a ball joint.

- Size 100 x 290 mm, height 300 mm
- Suitable with 19300
- Order No. 1000 19130



39. 90° KNEE SUPPORT 138

With height adjustable, telescopic support post, radiotranslucent (carbon fibre) and padded, attaches to the adapter, can be fixed on both sides of the table.

- Size 500 x 610 mm
- Adjustable height 105–475mm
- Suitable with 19300
- Order No. 1000 00138

225 kg

3,6 kg

IS
pad



40. LEG REST WITH PADDING 19120

Radiotranslucent, curved support (carbon fibre) with support post and clamp, attaches to the extension bar.

- Rod diameter Ø 19 mm
- Suitable with 19300
- Order No. 1000 19120

225 kg

1,9 kg

IS
pad



41. STIRRUP CLAMP WITH ROTATION 19114

For fixing Kirchner bow traction device.

- Suitable with 19300
- Order No. 1000 19114



42. SHORT SUPPORT ARM 19133

With clamp 19135 for supporting healthy leg with stirrup or leg support, e.g. 20118.

- Size 50 x 300 mm
- Suitable with 19300
- Clamp 19135 to be ordered separately
- Order No. 1000 19133

225 kg

1,5 kg



43. KNEE CRUTCH 19118

Model Göpel.

- Rod diameter Ø 19 mm
- With clamp and velcro-strap, suitable with 19300
- Clamp 19134 to be ordered separately
- Order No. 1000 19118

IS
pad



44. KNEE SUPPORT 19124

Radiotranslucent roll (carbon fibre) padded with height adjustable support, clamp 19134 attaches to the extension bar.

- Size 330 x 450 mm
- Rod diameter Ø 19 mm
- Suitable with 19300
- Clamp 19134 to be ordered separately
- Order No. 1000 19124

225 kg

3,4 kg



45. FEMORAL COUNTER TRACTION POST 19112

Including:

- Pads
- Perineal posts (carbon fibre) are radiotranslucent and height adjustable with crank handle
- Height adjustment 250–335 mm
- Suitable with 19300
- Order No. 1000 19112

225 kg

3,1 kg



46. SUPPORTING POST FOR PLASTER CAST 19132

- Size 780 x 400 mm
- Height adjustment 85–720 mm
- Rod diameter Ø 19 mm
- Suitable with 19300
- Clamp 19134 to be ordered separately
- Order No. 1000 19132

225 kg

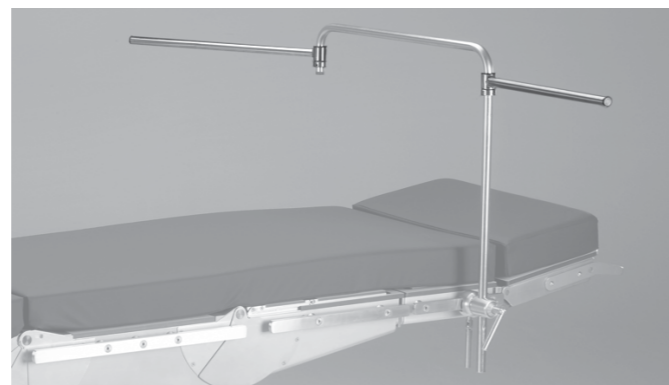
3,9 kg



1. ANAESTHESIA SCREEN 111

Adjustable height and angle. Rotates 360 degrees.

- Size 590 x 20 mm
- Rod diameter Ø 19 mm
- Stainless steel
- Universal clamp 10300 is needed for fixing
- Order No. 1000 00111



2. EXTENSION ARM 116

An extra wing is attached to the anaesthesia screen 111, one or two pieces. Requires assembly.

- Order No. 1000 00116 for single arm



3. INFUSION ROD 444 MOBILE

- Height adjustment 1510–2210 mm
- IV-pole material: Stainless steel
- 5-wheel
- 4 hooks
- Handle for easy transport
- Material of handle: Stainless steel
- Order No. 1000 00444



4. INFUSION ROD 749

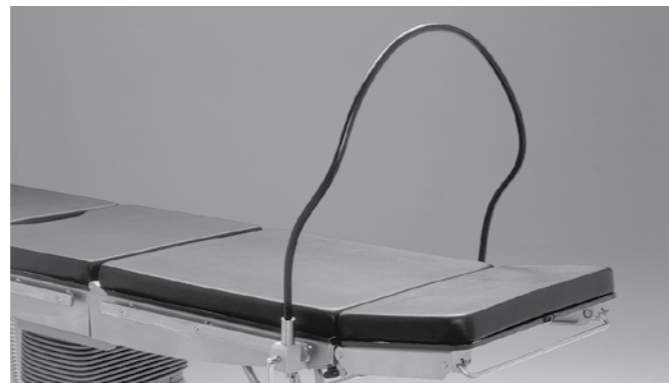
Side Rail Mounted Infusion rod with 10200 clamp.

- Height adjustment 840–1190 mm
- 4 hooks included
- Suitable for rails: EUR, US, UK
- Order No. 1000 00749



SWL 2 kg

1,8 kg



5. FLEXIBLE ANAESTHESIA SCREEN 11001

To support anaesthesia screen or draping during operation. Flexible construction, screen can be bent to desired shape.

- Height 1600 mm
- Rod diameter Ø 16 mm
- Including two Universal 10200 clamps
- Order No. 110001



6. INFUSION ROD HOLDER 18578

Fixed to the base casing of Rapido, storage holder for infusion rod with two hooks.

- Suitable with Rapido operating table
- Order No. 1000 18578



1. CASSETTE TRAY 126

Support and positioning aid for X-ray cassettes.

- Size 395 x 595 mm
- Stainless steel
- Suitable with Promerix and Practico
- Order No. 1000 00126



2. CASSETTE TRAY 18126

Support and positioning aid for X-ray cassettes.

- Size 495 x 595 mm
- Suitable with Rapido
- Order No. 1000 18126



3. PUSH HANDLES 18168

Push handles to foot end for transporting patient to and from the OR, handles are mounted to the side rail and are detachable.

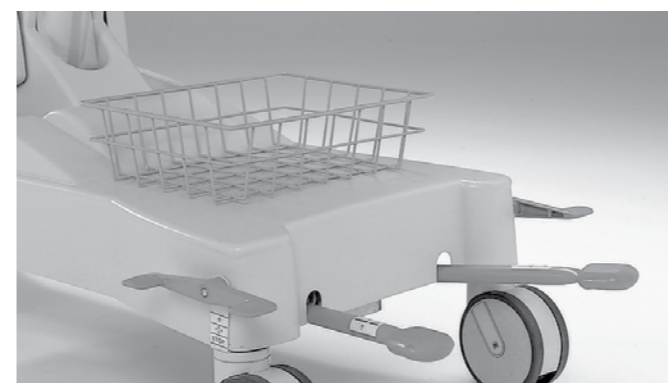
- Suitable rails: EU
- Order No. 1000 18168



4. SIDE RAILS 18174

Patient side rails for operating table, epoxy coated, autolock, pair. For the safe transport of the patient, can also be used in the recovery department for extra patient safety.

- Clamps available EU, UK
- Suitable rails: EU, UK
- Order No. 1000 18174



5. WIRE BASKET 18183

For storing items on the Rapido's base cover.

- Size 300 x 400 x 100 mm
- To be fitted by the customer, mounting instructions included
- Suitable with Rapido
- Order No. 1000 18183



6. OXYGEN BOTTLE HOLDER 18189

For holding 5–10 L oxygen bottle on the Rapido's base cover.

- For bottle diameter ca. 140 mm
- Max bottle length with valves 550 mm
- To be fitted by the customer, mounting instructions included
- Nylon fabric straps with zinc plated locking buckles
- Suitable with Rapido
- Order No. 1000 18189





7. PAPER ROLL HOLDER 18572

For holding paper roll under the Rapido's table top. Paper roll width max 600 mm. Clamps included.

- Suitable with Rapido
- Suitable rails: EUR, US, UK
- Order No. 1000 18572

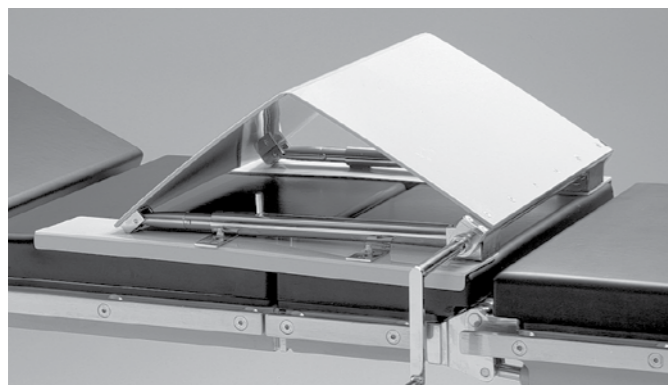


8. TABLE WIDTH EXTENDER 10659

Width extender for extending the width of the operating table. Enabling for example bariatric patients.

- Size 500 x 105 mm
- Suitable rails: EUR, US, UK
- Order No. 110659

SWL 50 kg
300 kg 1,6 kg



9. BACK AND KIDNEY ELEVATOR 19280

To be placed on the table top or on the mattress for kidney surgical procedures. The angle is adjustable with a crank mechanism. A separate mattress is included.

- Size 555 x 540 mm
- Suitable with Promerix and Practico
- Order No. 1000 19280

SWL 75 kg 180 kg
8,8 kg VEF pad



10. FOOT CONTROL DEVICE 60850

Adjustments for Trendelenburg, height and side tilt. For Promerix and Practico 100030000 optional Back or sliding.

- Size 390 x 190 mm
- Suitable with Promerix and Practico
- Order No. 1000 60850

5,5 kg



13. MULTIPURPOSE ACCESSORY CART 60220

For mobile storage and moving Merivaara operating table sections and accessories.

- Size 580 x 810 mm, height 1770 mm
- 4 castors with lockable brakes
- Holds up to total of 12 sections on both sides of the cart
- Includes 6 accessory rails which enable variable accessory storing
- 2 baskets 590 x 300 x 150 mm can be placed in 6 different locations
- Long sections, such as lightweight transfer board and carbon fibre backrests, can be placed in vertical position in two locations
- Narrow head rests can be stored using 100 060 146 adaptor is not included
- Accessory rails available: EUR, US, UK
- Order No. 1000 60220

SWL 135 kg



14. ACCESSORY STAND 19220

For mobile storage and moving Merivaara operating table sections and accessories.

- Size 543 x 640 mm, height 1648 mm
- Rail length 589 mm
- 4 castors with lockable brakes
- 4 baskets 150 x 300 mm
- Stainless steel
- Fitted with accessory rails and steel baskets (4 pieces)
- Accessory rails available: EUR, US
- Order No. 110220

SWL 135 kg



11. INSTRUMENT TABLE 10060

Allows for easier access to the table thanks to its easy on accessory rail mounting.

- Size 500 x 400 mm
- Accessory rod diameter Ø 16 mm
- Order No. 1000 10060



12. INSTRUMENT TABLE ROTATABLE 10061

Allows for easier access to the table thanks to its easy on accessory rail mounting. Can be manoeuvred for more specific placement.

- Size 540 x 400 mm
- Accessory rod diameter Ø 16 mm
- Unique locking system – locks both pivots by means of one lever
- Order No. 1000 10061



15. EXTENSION RAIL 10355

For extending the length of the table side rails.

- Length 400 mm
- Suitable rails: EUR
- Order No. 1000 10355

SWL 1,1 kg



16. ANGLED EXTENSION RAIL 10356

For creating an extended angle of the table side rails.

- Length 275 mm
- Adjustable slide movement
- Suitable rails: EUR
- Order No. 1000 10356

SWL 1,1 kg



17. ANGULAR ACCESSORY RAIL 10359

For lowering height of the table side rails.

- Length 250 mm
- Height adjustable 220 mm
- Hook on clamp included
- Suitable rails: EUR
- Order No. 1000 10359

SWL 58 kg



18. EXTENSION RAIL 19128

For extending the length of the table side rails. Fits to both sides of the table.

- Length 550 mm
- Suitable rails: EUR, US
- Order No. 1000 19128

SWL 225 kg 2,80 kg



Health Technology with a Human Touch

Made in Finland with respect
for our unique nature.



MERIVAARA CORP.

Lahti, Finland, Tel. +358 3 3394 611,
merivaara@merivaara.com www.merivaara.com

MERIVAARA WORLDWIDE

Merivaara's headquarters, with R&D, production, sales, marketing and after-sales service functions, are located in Lahti, Finland. Merivaara has subsidiaries in Norway (Merivaara A/S), Sweden (Merivaara AB), UK (Merivaara Ltd) and a sales organisation in Russia. Additionally, Merivaara's products are sold in more than 120 countries by a network of distributors.

The status of the information, specifications and illustrations in this publication is indicated by the date of publication. Whilst the greatest care has been taken over its compilation, Merivaara Corp. is not responsible for any errors or omissions. Merivaara Corp. reserves the right to make changes to the technology, features, specifications and design of the equipment and models without notice. Please check the Merivaara website for the latest updated specifications and other information.

All trademarks are Merivaara property unless otherwise stated. Patents granted or pending.

©Merivaara Corp. DOC ID: 6007EN-1, Date: 06/2021