



Operating Tables

 **MERIVAARA**

We at Merivaara design innovative solutions to help healthcare professionals to take care of the patients to live better lives.

For more than 120 years, the company's values have been uncompromising quality, simplicity, and learning from the user experience and from each other.

We are proud to apply the same values today.



Find us on LinkedIn
[Merivaara Corp.](#)

CONTENT

page

Fluent usability	4–5
Solutions	6–7
Grand Promerix	8–23
Smarter Practico	24–41
Scandia Prime	44–47
Scandia Lite	48–51
Practico Manual	52–57
Rapido	58–63

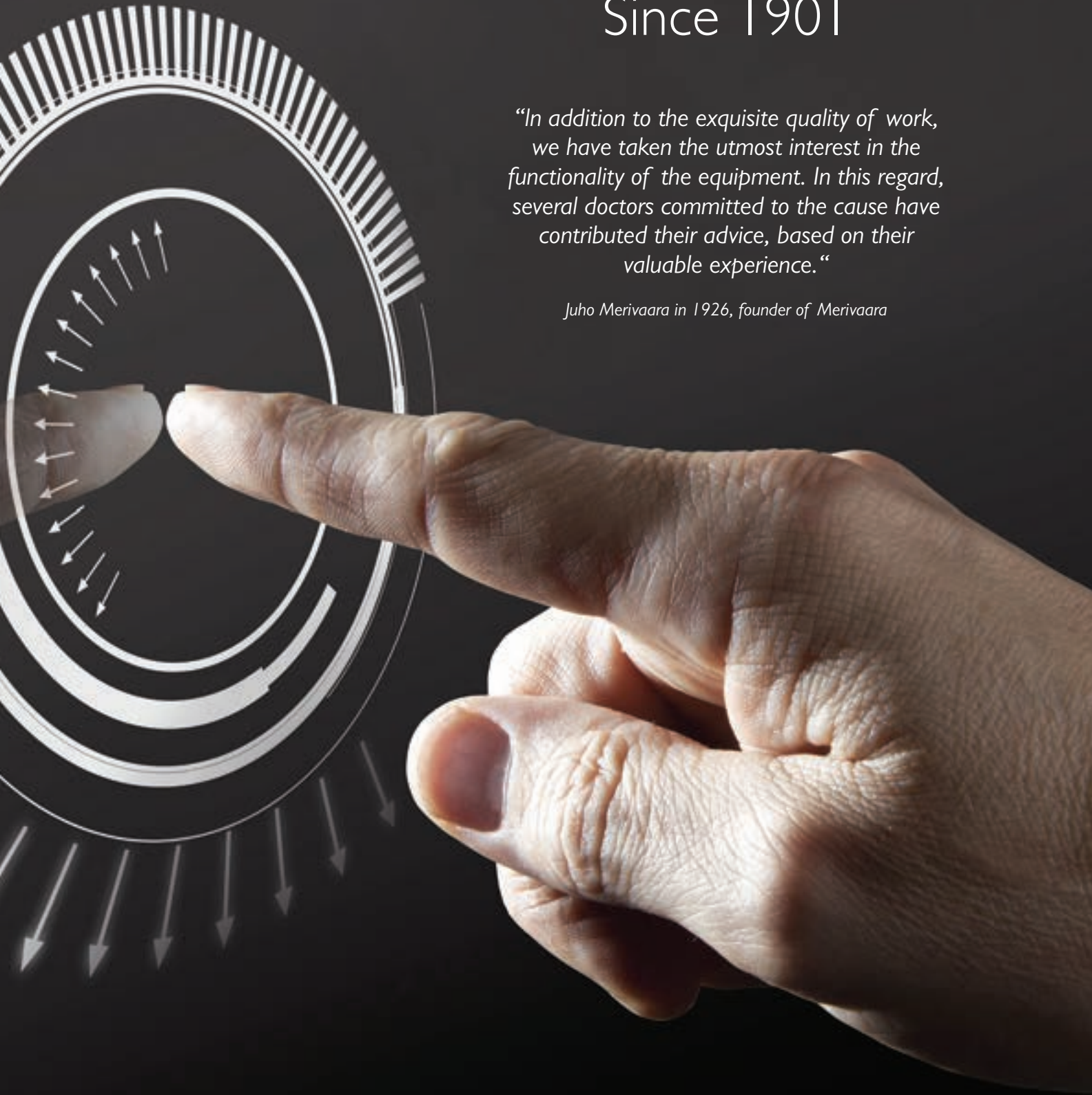


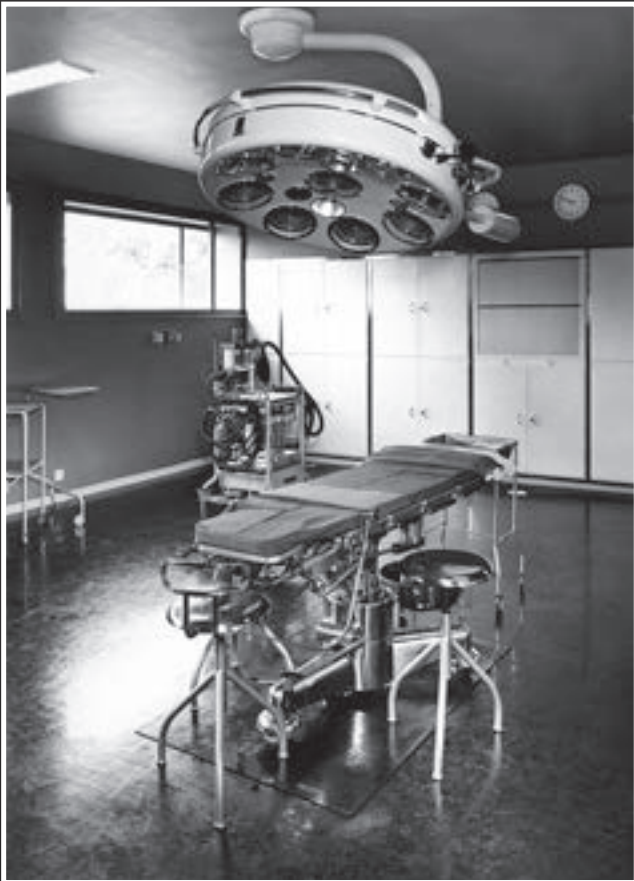
Fluent usability

Since 1901

“In addition to the exquisite quality of work, we have taken the utmost interest in the functionality of the equipment. In this regard, several doctors committed to the cause have contributed their advice, based on their valuable experience.”

Juho Merivaara in 1926, founder of Merivaara





In a modern operating room from the 1950s tables and lights were manually adjusted.



We are proud that the company's values 120 years ago were so ahead of their time that they can still today be fully applied when designing new innovative solutions for healthcare professionals. This is demonstrated by our latest award-winning products, the Q-Flow surgical light and the Smarter Practico operating table with functionality and ease of use at the heart of the design. Our user interfaces are developed together with hospital personnel so that all our products and systems can be used intuitively.

We call this Fluent Usability; operating room teams can focus on patient care, not for the management of complex technologies. Top surgeons appreciate this all over the world.





Solutions

Merivaara Solutions offer operating rooms a wide range of high-quality products, systems and services. Our solutions not only guarantee patient safety, but also provide healthcare operators with the best value for money.

When designing our solutions around the entire surgical team, it is important for us to listen to the customer's needs. This allows us to ensure that the team can implement the procedures safely, quickly and reliably. At the same time, workflow is optimized and the productivity of the entire team will increase.

Merivaara has long experience from leading and implementing projects in operating rooms. For us, keeping projects to schedule and reducing costs is extremely important.



- SURGICAL LIGHTS • EXAMINATION LIGHTS
- OPERATING TABLES • TABLE ACCESSORIES
- INTEGRATION SYSTEMS • MONITORS & MONITOR ARMS
- PENDANTS • PROJECTS • MERIVAARA SERVICES

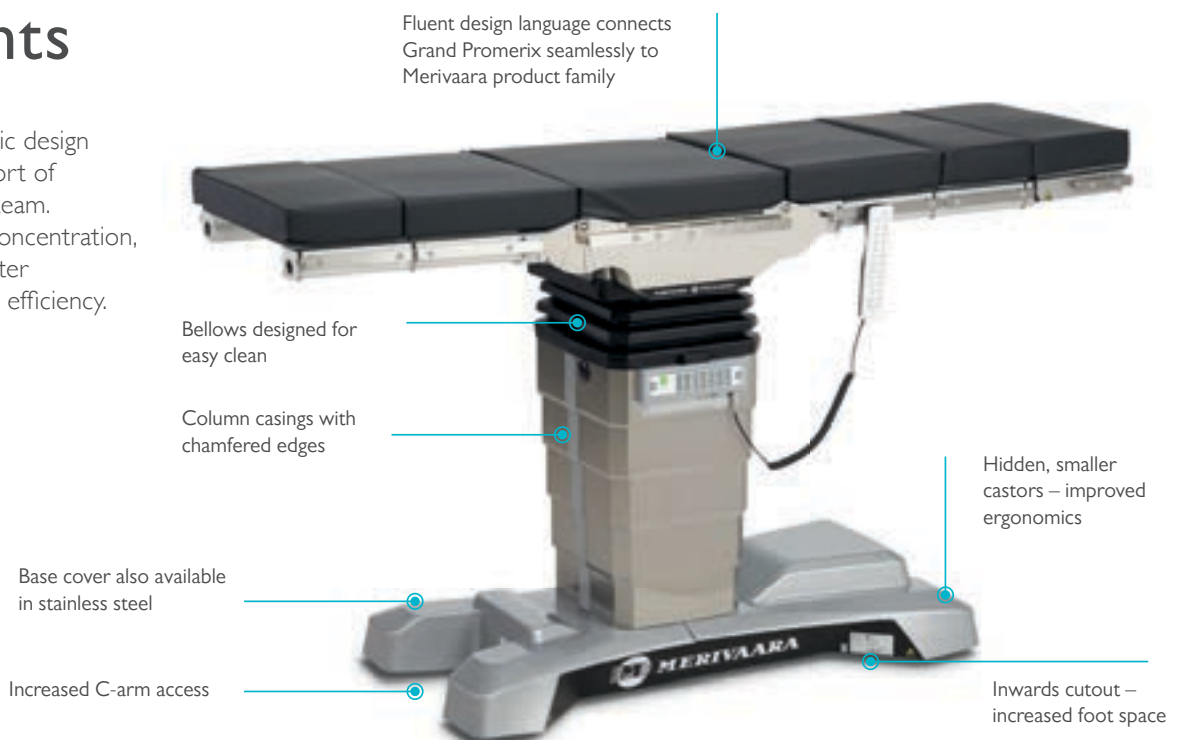
Grand Promerix for demanding workflow



Powerful and smooth Grand Promerix is a heavy-duty, yet versatile operating table for all kind of surgical procedures. Re-thought details help you to work more fluently. Excellent for bariatric surgeries.

Highlights

Improved ergonomic design improves the comfort of the whole surgical team. Comfort leads to concentration, confidence and better co-operation. That's efficiency.



Benefits of the Grand Promerix



1. IMPROVED ERGONOMICS

Grand Promerix has lots of improved details for better ergonomics, for example, hidden, smaller castors and a curved cutout for increased foot space. Human-centric design at its best.



2. C-ARM ACCESS

The renewed slim base gives you perfect C-arm access. The Grand Promerix is designed to meet the highest standards in the operating room.



3. INCREASED HYGIENE

Details redesigned with patient safety in mind. New bellows & seat section, among other improvements, make Grand Promerix hygienic and easy to clean.

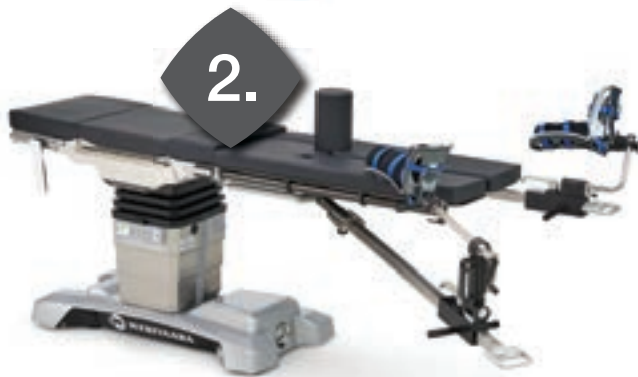


4. FLUENT LOCK™

Our Fluent locking system is both user-friendly and reliable. Connect with one click.

TRAUMA ORTHOPEDICS

Grand Promerix for trauma orthopedics is the flexible solution for any operating room performing orthopedic procedures. With the FLEXION orthopedic extension device patient positioning has never been so easy. Full C-arm access.



“ Setting up Flexion is as easy as one, two, three...

APPLICATION EXAMPLES:

- Hip arthroscopy
- Total hip replacement
- Lower extremity procedures: tibia nailing, femur nailing
- Hand surgery



SPECIAL ACCESSORIES

FEMORAL COUNTER TRACTION POST 519512

Femoral counter traction post for lateral position with height adjustment with Flexion.



SPECIAL ROTEXSHOE® TRACTION BOOTS

Stability and flexibility are not always mutually exclusive, but rather properties which are of major importance, particularly in the medical field. They guarantee safe and individual patient treatment, and expand surgical possibilities. The Special RotexShoe Traction boots offer all of that, and easy handling makes your work easier.



ORTHOPEDIC SHOULDER SURGERY

The flexible solution for any operating room performing arthroscopic procedures. Thanks to the large back section cutout, the shoulder operations are always ergonomic for the surgeon and the patient. The back section cutout is big enough for a full view of the upper back and to move the patient's arm. On the other hand, it gives a proper support for the patient.



LARGE BACK SECTION CUTOUT
allows shoulder and arm movements during operation.

BACK SECTION CUTOUT
can be released easily and quickly.

APPLICATION EXAMPLES:

- Rotator Cuff repair
- Bankart repair
- Slap Lesion repair
- Total Shoulder replacement
- Clavicle repair
- Reverse Total Shoulder replacement



PROGRAMMABLE MEMORY POSITIONS
allows you to go back to original surgery position after the table has been zeroed for imaging.

SPECIAL ACCESSORIES

BEACH CHAIR SUPPORT BELT 20127

To support the patient in Beach Chair during operation.



BEACH CHAIR HELMET HEAD REST 30128

Multi directional helmet with forehead strap, to be used for the shoulder operations with Beach Chair back rest.



GYNECOLOGY AND UROLOGY

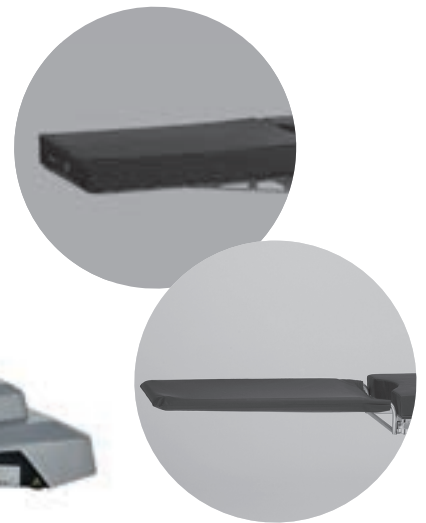
Grand Promerix for gynecology and urology is the flexible solution for any operating room performing gynecological and urological procedures. The high SWL, sliding function and great C-arm access make fluoroscopy of the pelvic area possible.



GREAT ACCESS FOR THE SURGEON AND ANESTHETIST

Due to the new redesigned frame structure and well-designed table adjustments, surgeon and anesthetist get close access to the patient.

TWO LIGHTWEIGHT SECTIONS AVAILABLE



APPLICATION EXAMPLES:

- Endometriosis surgery
- Surgery for depression of uterus and vaginal walls
- Uterine scraping
- Treatment of uterine muscle tumors (myoma treatment)
- Hysterectomy
- Hydronephrosis
- Prostate laser surgery
- Scrotum surgery
- Seed Removal (Sperm)
- Bladder Vision (Cystoscopy)

SPECIAL ACCESSORIES



K-TEK STIRRUPS

Provides unparalleled pelvic site access, larger boot sizing and better infection control. Available for pediatric, adult, and bariatric.



LIGHT MOTORIZED LEG SECTION 60204

Light leg section improves work ergonomics of the OR personnel. It is very light and easy to handle. The lightweight leg section attaches to the operating table with the Fluent locking mechanism removing the need to lean over the lightweight section when attaching and removing.

NEURO SURGERY

Grand Promerix is a flexible solution for all neurological operating rooms performing delicate procedures. Thanks to the safe and fluent design, it is ergonomically designed for the patient and surgical team. The fluent design creates an environment for optimum imaging. The attachment of multiple neurological accessories is made easy due to Merivaara Fluent lock™ system.



SAFE AND EASY POSITIONING

Different surgical accessories can be used for neuro and spine surgery with Grand Promerix. Reverse positioning is possible for different needs.

HEAD REST ADAPTER 60146

Compatible with all Doro neurological products. Can easily be mounted to both Grand Promerix and Smarter Practico.

APPLICATION EXAMPLES:

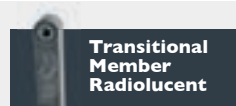
- Laminectomy
- Discectomy
- Spinal Fusion
- Vertebroplasty / Kyphoplasty



SPECIAL ACCESSORIES



Interface Skull Clamp Aluminium



Transitional Member Radiolucent



Interface Skull Clamp Aluminium



DORO ALUMINIUM HEAD REST SYSTEM



DORO CERVICAL SPINE HEADREST SYSTEM



DORO CERVICAL SPINE HEADREST SYSTEM



DORO CRANIAL SPINE HEADREST SYSTEM

SPINAL SURGERY

Grand Promerix is a flexible solution for all surgical operating rooms when performing spinal surgical procedures thanks to its safe and fluent design. It is ergonomically designed for the patient and surgical team. The fluent design creates an environment for optimum imaging. Attachment of carbon fiber sections is made easy due to our Fluent lock system.

STABLE PLATFORMS FOR BOTH NEUTRAL AND FLEXED POSITIONS

Perfect solutions for example for cervical, lumbar, laminectomies, decompressions, thoracic surgical spinal prone procedures.



Spinal Floating System



APPLICATION EXAMPLES:

- Laminectomy
- Discectomy
- Spinal Fusion
- Vertebroplasty / Kyphoplasty

SPECIAL ACCESSORIES



CS PRONE HEAD SUPPORT SYSTEM



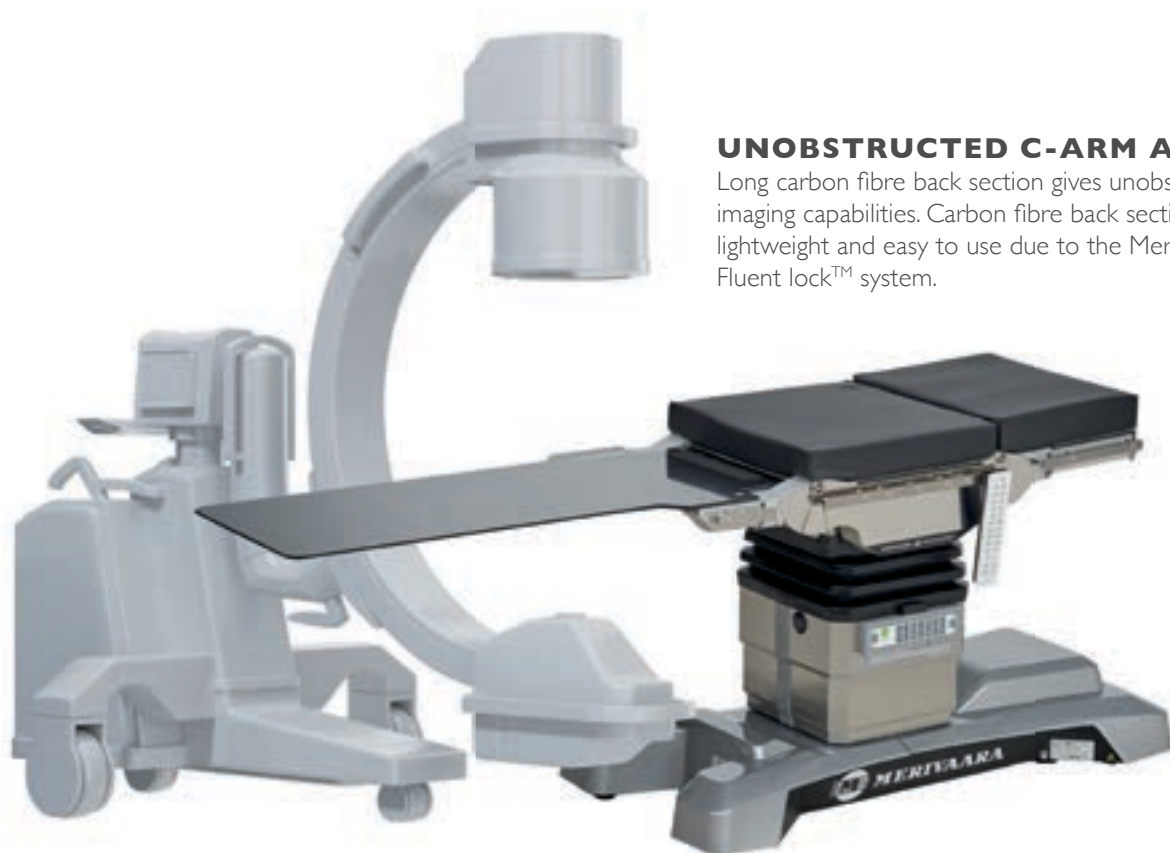
CS PRONE FACE CUSHION



CF-BACKREST 60502

THORACIC AND CARDIOVASCULAR SURGERY

Grand Promerix for Thoracic and Cardiovascular Surgery is the flexible solution for any operating room performing cardiovascular procedures. The long carbon fibre back section ensures high quality imaging.



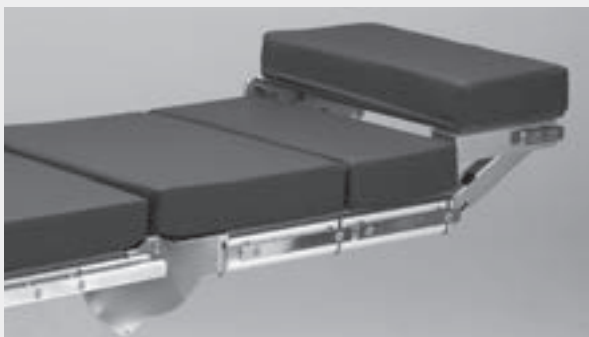
UNOBSTRUCTED C-ARM ACCESS

Long carbon fibre back section gives unobstructed imaging capabilities. Carbon fibre back section is lightweight and easy to use due to the Merivaara Fluent lock™ system.

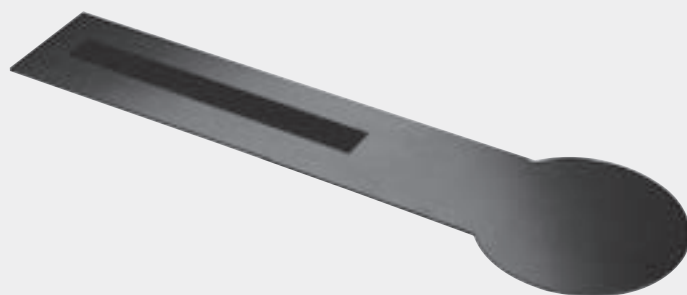
APPLICATION EXAMPLES:

- Angioplasty
- Heart valve surgery
- Catheter ablation
- Stent placement

SPECIAL ACCESSORIES



HEAD REST 60142



**HIGH PRESSURE LAMINATE
(HPL) ARM REST 60510**

PROCTOLOGY

The specialized accessories allows for the safe positioning of the patient, while also creating the access required for both the surgeon and the scrub nurse.



APPLICATION EXAMPLES:

- Colectomy
- Ileo / colostomy
- Strictureplasty
- Hemorrhoidectomy

“Wide range of accessories for various applications in our Accessory Catalog.

SPECIAL ACCESSORIES



ARM REST 19185

K-TEK STIRRUPS

Provides unparalleled pelvic site access, larger boot sizing and better infection control. Available for pediatric, adult and bariatric.



PEDIATRIC SURGERY

The tabletop is specially designed for pediatric use and gives close access for the surgeon when operating on small patients. This enhances the ergonomics of the operating room team. It also offers excellent C-arm access without obstruction of a support leg.



CLOSE ACCESS FOR PEDIATRIC OPERATIONS

The pediatric section is designed for children's surgery. The table top is narrower than other sections enabling surgeons and the health care team to get closer to the patient. Max patient weight is 40 kg. Includes 80 mm thick antistatic and viscoelastic mattress.



SPECIAL ACCESSORIES

**K-TEK 250
STIRRUP PAIR
12814**



KIDNEY SURGERY

Grand Promerix for kidney surgery is the simple and flexible solution for operating rooms. Integrated kidney-bridge elevator system helps to adjust the patient to the desired position with ease.



SPECIAL KIDNEY-BRIDGE INTEGRATED TO FIXED BACK-SECTION

Special kidney-bridge back section is easy to use with a crank handle.

MULTIFUNCTIONAL TABLE TOP

The table top can be configured to suit all surgical applications.

SAFE AND EASY POSITIONING

Flex, reverse flex and beach chair can be easily achieved thanks to their individual dedicated buttons on the hand control.



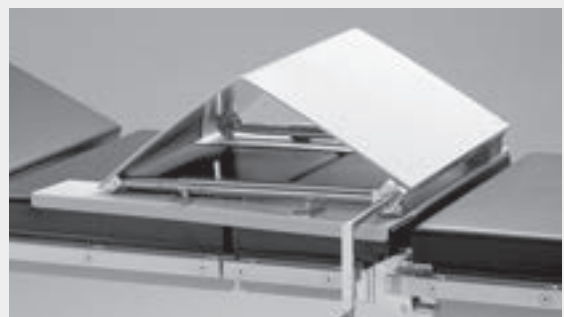
APPLICATION EXAMPLES:

- Lung cancer surgery
- Lung volume reduction surgery
- Oesophageal surgery
- Partial nephrectomy or nephron-sparing surgery
- Percutaneous nephrolithotomy / nephrolithotripsy (tunnel surgery)

SPECIAL ACCESSORIES



KIDNEY AND THORAX HEAD REST 60147



BACK AND KIDNEY ELEVATOR 19280

BARIATRIC SURGERY

The flexible solution for any operating room performing MIS procedures. With its high SWL, sliding-function, and versatile positioning, Grand Promerix is a safe and ergonomic solution for both the patient and the surgical team.



EASY ACCESSIBILITY

The fluent articulation of Grand Promerix ensures optimal ergonomic solutions.



LOW PATIENT POSITIONING

It is essential in today's operating room that the equipment can adapt to any situation. With the lowest height of 30 cm, the Promerix is the perfect solution for bariatric gastro surgery.

APPLICATION EXAMPLES:

- Bariatric surgery
- Laparoscopy
- Hernia surgery
- Tumour surgery
- Laparotomy

SPECIAL ACCESSORIES



K-TEK STIRRUPS
Provides unparalleled pelvic site access, larger boot sizing and better infection control. Available for pediatric, adult and bariatric.



DIVIDED LEG SECTION 60484

Customized solutions for different kinds of surgical operations

Lower leg sections
(require 60225
or 60425)



Upper leg sections
(attach to the seat
section)



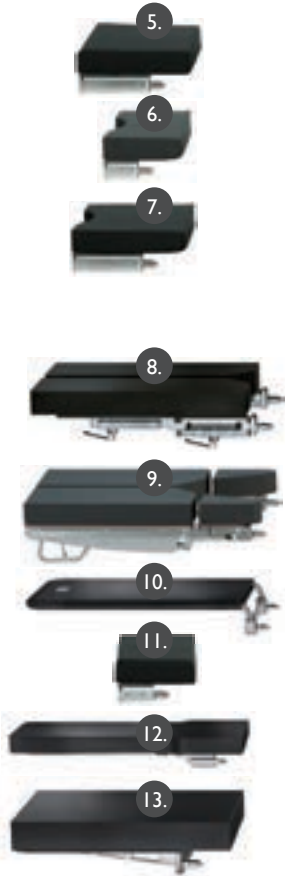
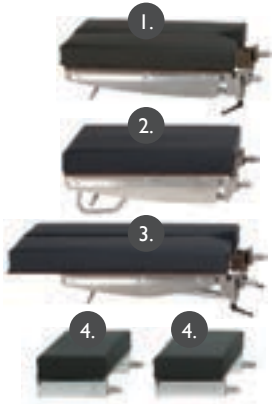
Lower back
sections
(attach to the seat
section)



Upper back
sections,
adapters
and Fluent lock
head rests



Head rests



DORO adapter
(connects directly to the
side rails)



No.	Order No.	Name	Dimensions	Weight
1.	1000 30248	Short Divided Leg Plates, gas spring assisted		
2.	1000 30147	One piece leg section, gas spring assisted		
3.	1000 60475	Long Divided Leg Section, gas spring assisted	594 x 880 x 260 mm	
4.	1000 60250	25-Section	540 x 250 x 80 mm	7,6 kg
5.	1000 60240	40-section	540 x 400 x 80 mm	9,1 kg
6.	1000 60425	25 gyn section	540 x 250 x 80 mm	5,3 kg
7.	1000 60440	40 gyn-section	540 x 400 x 80 mm	8,9 kg
8.	1000 145480	Short Divided Leg Section Double joint		7,5 kg
9.	1000 60484	Divided Leg Plates, 4 Sections	540 x 865 x 230 mm	25 kg
10.	1000 60201	Light foot rest 60201	500 x 900 mm	5,2 kg
11.	1000 60225	25 Short-section	540 x 250 x 80 mm	5,4 kg
12.	1000 60502	CF-backrest 60502	1200 x 540 mm	
13.	1000 60204	Light leg section for motorized legs 60204	540 x 630 x 80 mm	4,9 kg
14.	100060525	Beach Chair Back Rest	540 x 650 x 80 mm	19,6 kg
12.	100060325	ENT Upper-Back Section 60325		
13.	1000 60140	Head rest 60140	540 x 300 x 80 mm	6,3 kg
14.	1000 60142	Head rest 60142	540 x 300 x 80 mm	6,4 kg
15.	1000 60146	Head rest adapter 60146		2,5 kg
16.	1000 30128	Beach chair helmet head rest 30128		4,3 kg
17.	1000 30126	Beach chair head rest 30126		4,6 kg
18.	1000 18101	Head rest 18101	300 x 408 x 80 mm	4,1 kg
19.	1000 18150 1000 18151	Head rest for ent/ophtalmology 18150 or 18151	225 x 290 x 60 mm	2,8–3,25 kg
20.	1000 18143	ENT-surgery head rest 18143	245 x 242 x 40 mm	3,4 kg
21.	1000 00142	Narrow headrest 142	275 x 206 x 50 mm	4,1 kg
22.	1000 00141	Wide headrest 141	275 x 406 x 50 mm	4,5 kg
23.	1003 00700	DORO adapter		
24.	1010 01100	DORO Aluminium Head Rest System		
25.	1003 00900	DORO Horseshoe Head rest		

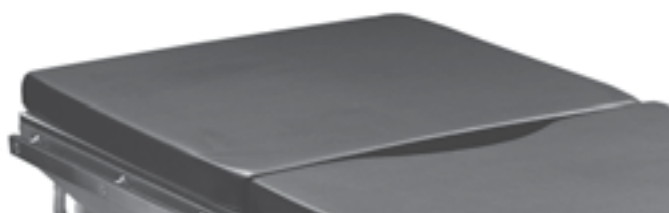
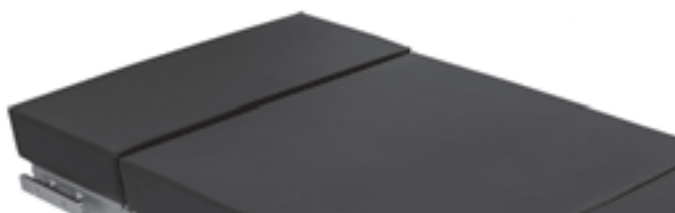
We offer two types of mattresses:

Visco-elastic foam (VEF) with premium patient comfort against decubitus ulcers. Surface material is ultrasonically welded to prevent fluid penetration.

VEF
pad

Integral skin (IS) mattresses are carefree solutions for demanding environment.

IS
pad



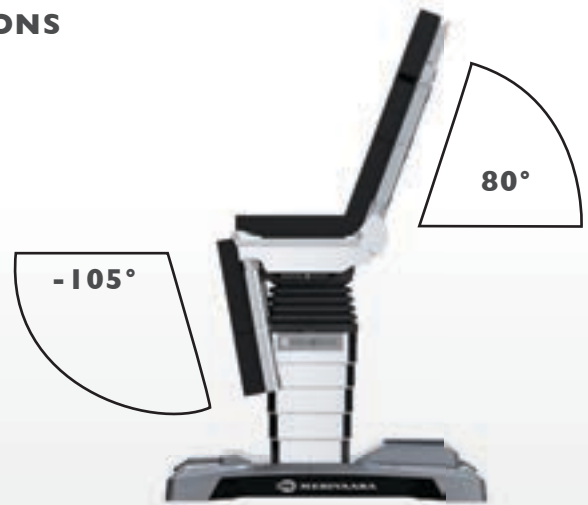
MAXIMUM HEIGHT (*)



MINIMUM HEIGHT ()**



MOTORIZED LEG AND BACK SECTIONS



TILT ANGLE



TRENDELENBURG ANGLE



**SLIDE LEG
210 MM**



**SLIDE HEAD
200 MM**



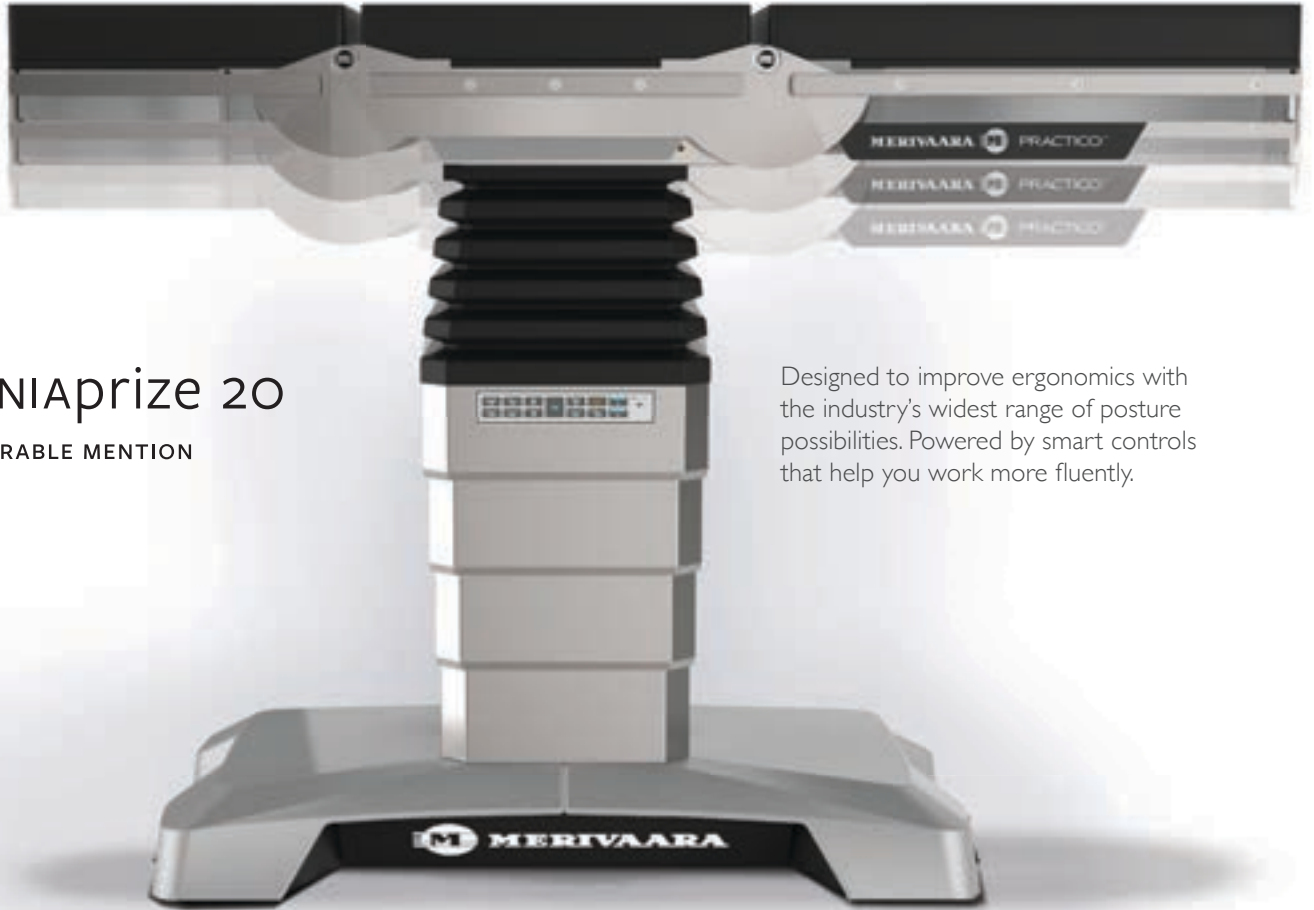
(* SLIDE MODEL (** NON-SLIDING MODEL)

Technical Specifications

	Sliding	Non-sliding
Length (table top)	2100 mm	2100 mm
Width (table top)	540 mm	540 mm
Width (base)	652 mm	652 mm
Height adjustment	650–1110 mm	610–1070 mm
Max. patient weight	275 kg	325 kg
Safe working load (SWL)	275 kg	325 kg
Trendelenburg	-35°	-35°
Reverse Trendelenburg	+35°	+35°
Head rest adjustment	-45 – +45°	-45 – +45°
Back section adjustment	-45 – +80°	-45 – +80°
Leg section adjustment	-105 – +70°	-95 – +70°
Castors size	80 mm	80 mm
Frequency	47–63 Hz	47–63 Hz
Input voltage	100–240 VAC	100–240 VAC
Weight	325 kg	300 kg
Longitudinal shift of the table top	410 mm	
Lateral tilt	-25 – +25°	20 – 20°
Lower frame length	1317 mm	1317 mm
Floor clearance	25 mm	25 mm
Max. lifting capacity	490 kg	490 kg
Product Code	100060000	100060000
Official product name: Promerix		

Smarter Practico

Operate high & low



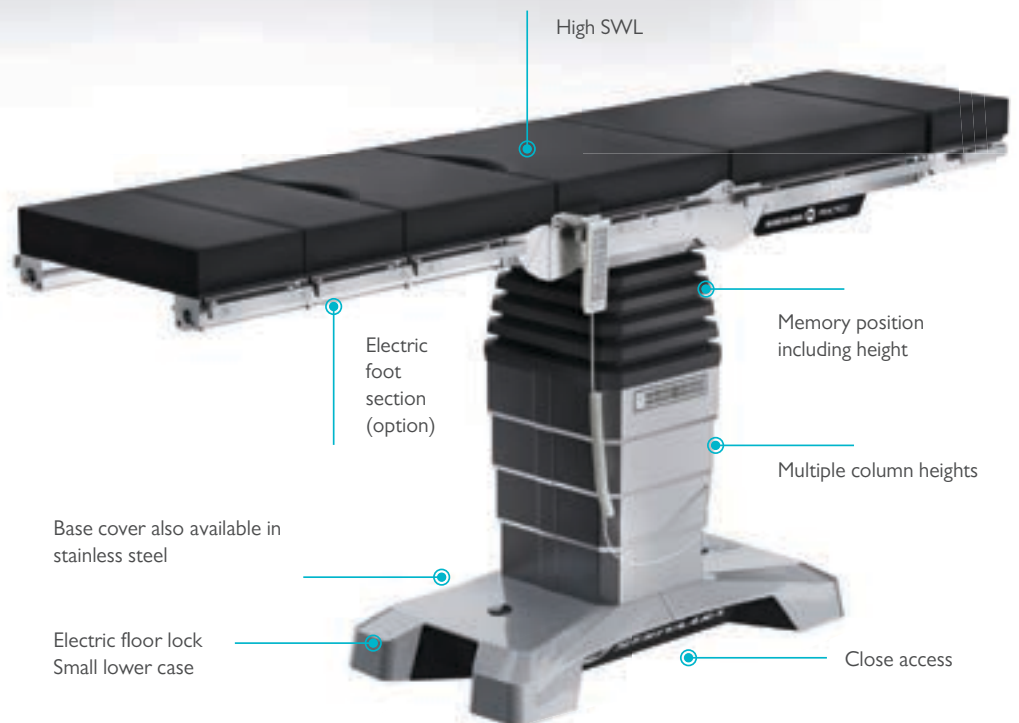
FENNIAprize 20

HONOURABLE MENTION

Designed to improve ergonomics with the industry's widest range of posture possibilities. Powered by smart controls that help you work more fluently.

Highlights

Improved features let you focus on the task at hand while superior ergonomic design improves the comfort of the whole surgical team. Comfort leads to concentration, confidence and better co-operation. That's efficiency.



Benefits of the Smarter Practico



1. ENHANCED ERGONOMICS

- Multiple Column Height Choices: General, Low, High
- Surgical Application Adaptability – easily adaptable to multiple surgical applications
- Ergonomically focused for both the surgical team and the patient



2. SAFE & STRONG

- Up to 280 kg in all directions including slide
- Suitable for bariatric surgery with a vast range of accessories
- Lifting capacity 460 kg



3. FLUENT ACCESSABILITY

- The low height of the base allows 360 degree C-arm access
- The curved base design allows for the surgeon to gain closer access to the patient.
- 390 mm longitudinal slide allows for more C-arm accessibility making X-Ray and Fluoroscopic imaging possible



4. SMART HAND CONTROL

- Easy-to-use interface
- Fluent design and comfortable to hold
- Quick memory functions
- Endoscopic mode ensures safe and easy use in a low light environment
- Convenient battery health indicator



5. SMART MOVEMENTS

- The smart control system of the table recognizes potential mechanical collision situations.
- Multiple anti-collision adjustments, e.g. during deep Trendelenburg.
- Control system automatically performs correct compensative movements to allow for safe and smooth adjustments.

ELECTIVE ORTHOPEDIC SURGERIES

Smarter Practico for elective orthopedics is the flexible solution for any operating room performing elective orthopedic surgical procedures. Thanks to its extensive height adjustment range, Smarter Practico is the ergonomic solution for the OR.



HIP SURGERY

The adaptable heights improve ergonomics for short and tall personnel whether standing or sitting.



LOWER EXTREMITIES

Together with orthopedic extension solutions, Smarter Practico fulfills the demands of today's OR.



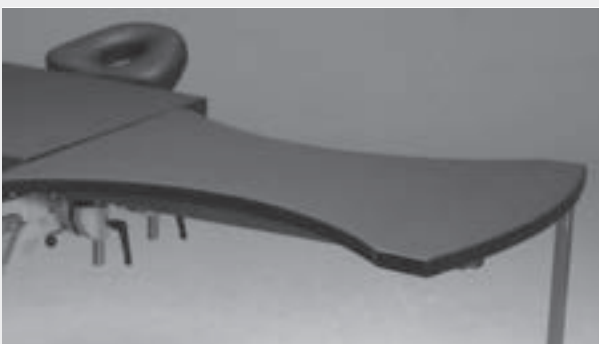
KNEE SURGERY

The Max Hi Smarter Practico is ergonomically designed for tall personnel. The fluent base is designed to allow for non-obstructive and closer access to the surgical field.

APPLICATION EXAMPLES:

- Hip surgery
- Knee surgery
- Foot and ankle surgery
- Hand surgery
- Femur / tibia surgery
- Elbow / humerus surgery

SPECIAL ACCESSORIES



HAND OPERATING TABLE 10390



HUMERUS TRACTION KIT 110438

ORTHOPEDIC SHOULDER SURGERIES

The Smarter Practico for orthopedics is the flexible solution for any operating room performing shoulder orthopedic procedures. The beach chair section allows for easy access to the surgical field. Smarter Practico offers an extensive height adjustment range creating the perfect ergonomic solution in the OR.



FULL ACCESS TO THE SHOULDER AREA

Large cutout of the beach chair provides excellent surgical access.

EXCEPTIONAL PATIENT POSITIONING

Fluent movement is ensured because of the Smarter Practico's smart control system.

“ The back section cutout allows for a greater access to the shoulder area and for improved patient arm movements.

Dr Kari Salovaara, Orthopaedic Surgeon
at Päijät-Häme Central Hospital in Finland



SECURED POSITIONING

The beach chair support belt ensures the safe positioning of the patient without obstructing the surgical area.

USER FRIENDLY

Smart and smooth locking mechanism enables the quick release of the removable back section cutout.

SPECIAL ACCESSORIES



BEACH CHAIR HELMET HEAD REST 30128



MULTI-TASK ARMBORD 11802

OPHTHALMIC SURGERY

Smarter Practico for ophthalmics – ergonomics on its best. Thanks to extensive height adjustment range, Smarter Practico is suitable for all personnel of all heights offering excellent ergonomomy.

“Memory positions provide efficiency to repetitive operations. Mattresses felt good and supportive – more comfort for the patients.”

Oulu University Hospital Department of Ophthalmicology



LOWEST ON THE MARKET

Smarter Practico's ultimate low height of 540 mm makes it the perfect choice in the OR. Merivaara offers a vast range of ophthalmic head sections ensuring close proximity to the operating area. The streamlined base ensures the optimal foot space for the surgeon.

APPLICATION EXAMPLES:

- Cataract surgery
- Glaucoma surgery
- Refractive surgery
- Corneal surgery
- Vitreo-retinal surgery
- Extraocular muscle surgery
- Oculoplastic surgery

More support for the patient



More space for the surgeon to work



SPECIAL ACCESSORIES



ARM REST 125



ENT-SURGERY HEAD REST 18143

EAR, NOSE AND THROATH SURGERY

Smarter Practico's Max Low can also be utilized for ENT surgical procedures.



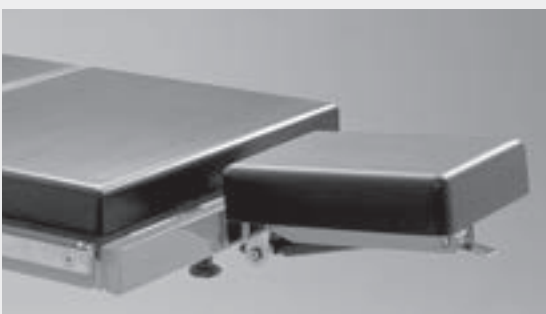
SPECIAL EYE-ENT BACK SECTION AND HEAD REST

- Allows for closer proximity to the patient
- Ergonomic for both the patient and end user
- Ensures stability
- ENT head rests offer excellent articulation

APPLICATION EXAMPLES:

- Tonsilectomy
- Ear surgery
- ENT oncology
- Functional endoscopic sinus
- Septoplasty
- Rhinoplasty

SPECIAL ACCESSORIES



NARROW HEAD REST 142



ENT-OPHTHALMOLOGY HEAD REST 18150

PLASTIC SURGERY

Smarter Practico for plastics is the flexible solution for any operating room performing plastic surgery. Thanks to the extensive height adjustment range, Smarter Practico is suitable for personnel of all heights.

MAX LOW

The table is easily reachable for the patients and gives excellent ergonomics for the surgeons while seated

FLUENT ACCESSIBILITY

New design gives more room for surgeon's legs



APPLICATION EXAMPLES:

- Breast Enhancement: Augmentation, Lift, Reduction, Reconstruction
- Facial Contouring: Rhinoplasty, Chin, or Cheek Enhancement
- Facial Rejuvenation: Facelift, Eyelid Lift, Neck Lift, Brow Lift
- Body Contouring: Tummy Tuck, Liposuction, Gynecomastia Treatment
- Scar Revision Surgery

SPECIAL ACCESSORIES



ARM REST 19180



HEAD REST 60142

GYNECOLOGY AND UROLOGY

Smarter Practico is the flexible solution for any operating room performing gynecological and urological procedures. Thanks to the extensive height adjustment range, Smarter Practico is suitable for personnel of all heights.

GYNECOLOGICAL SURGERY



EXCELLENT ACCESS AND QUICK RE-POSITIONING

Due to the extensive height adjustment, Smarter Practico is the ergonomic solution for all gynecological applications. The quick memory function makes the re-positioning easy.

UROLOGICAL SURGERY



UNCOMPROMISED ACCESS FOR THE SURGEON

Thanks to the slide function the table top can be slid toward the surgeon allowing for more ergonomic access to the operating field.

UNOBSTRUCTIVE IMAGING

The extensive slide function allows for easier access for imaging equipment.

“ Surgeon's access is excellent. Longitudinal slide is a very good option in gynecological and urological procedures.”

Erkki Riihinen, Operating Room Technician

APPLICATION EXAMPLES:

- Endometriosis surgery
- Surgery for depression of uterus and vaginal walls
- Uterine scraping
- Treatment of uterine muscle tumors (myoma treatment)
- Hysterectomy
- Hydroponic removal
- Prostate laser surgery
- Scrotum surgery
- Seed Removal (Sperm)
- BladderVision (Cystoscopy)

SPECIAL ACCESSORIES



K-TEK STIRRUPS

Provides unparalleled pelvic site access, larger boot sizing and better infection control. Available for pediatric, adult and bariatric.



BOWL 6 L W/O DRAINAGE 201571

SPINAL SURGERIES

Smarter Practico is the perfect solution for the spinal applications with its extensive height adjustment range.



SPINAL FLOATING SYSTEM

Cost-effective table top platform that fits all standard operating tables. The frame is fully radiolucent and the body supports allow the abdomen to hang freely to reduce venal pressure.

MAX HI AND MAX LO

Improved ergonomics for personnel of all heights.

FLUENT C-ARM ACCESS

Allowing intraoperative imaging due to its redesigned frame structure.

APPLICATION EXAMPLES:

- Laminectomy
- Discectomy
- Spinal Fusion
- Vertebroplasty/Kyphoplasty



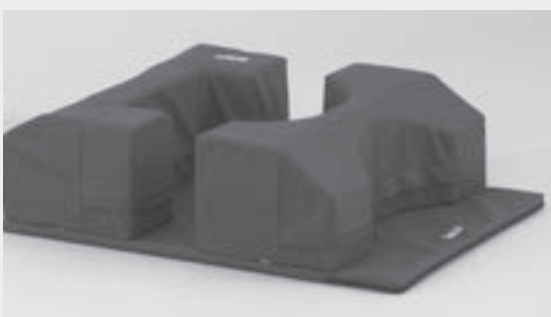
“Table design makes C-arm imaging easy.”

Sami Elamo, MD, M.Sc. (tech),
Consultant in Orthopaedic
and Trauma Surgery

COMPATIBILITY WITH C-ARM

The Smarter Practico and its accessories allow for easy C-arm access.

OTHER SPINAL SOLUTIONS



PRONE POSITION MATTRESS SET 60750

SPINE FRAME I 2805



OBSTETRICAL SURGERY

Smarter Practico is the flexible solution for the obstetrical OR. Its anticollision feature allows for the table to Trendelenburg without risk of collision with the floor. The low height removes the need for a step making the patient transfer smoother and safer.

“ The operating table is so low that pregnant mothers can easily sit on it.



MAX HI AND MAX LO

Improved ergonomics for personnel of all heights.

APPLICATION EXAMPLES:

- Caesarian surgery
- Episiotomy
- Colporrhaphy
- Colpotomy

SPECIAL ACCESSORIES



K-TEK STIRRUPS

Provides unparalleled pelvic site access, larger boot sizing and better infection control. Available for pediatric, adult and bariatric.



ARM-LEG SHIELD 60485

THORAX AND KIDNEY SURGERIES

Smarter Practico is the perfect solution for thoracic surgical procedures. Nephrectomy procedures are easily achieved thanks to the deep motorized jackknife position or with the kidney bridge model.



BUILT-IN KIDNEY BRIDGE BACK SECTION

Gives comfort and ergonomics for the patient and the surgeon.



LATERAL JACKKNIFE

Can easily be achieved thanks to the smooth motorized back section.

APPLICATION EXAMPLES:

- Lung cancer surgery
- Lung volume reduction surgery
- Oesophageal surgery
- Partial nephrectomy or nephron-sparing surgery
- Percutaneous nephrolithotomy/nephrolithotripsy (tunnel surgery)

“Quick setup for easy access to kidney area.”

Päijät-Häme Central hospital, Finland.

SPECIAL ACCESSORIES



HEAD REST 60142

ROUND LATERAL BRACE 11651

MULTI-TASK ARMBOARD 11802



MINIMALLY INVASIVE SURGERY

Smarter Practico for minimally invasive surgery (MIS)
is the flexible solution for the operating room.



EASY ACCESS



BARIATRIC



MAX HI AND MAX LO

“The operating table is excellent for good and ergonomic working positions. Different surgical operations can be done with Smarter Practico.”

Dr. Jyrki Kössi, Chief Gastroenterologist at Päijät-Häme Central Hospital in Finland



COMPATIBILITY WITH MOBILE C-ARMS

Intraoperative imaging is easy and flexible with Smarter Practico due to the fluent design.

APPLICATION EXAMPLES:

- Laparoscopy
- Bariatric surgery
- Tonsillectomy
- Appendectomy
- Cancer surgery
- Laparotomy
- Plastic surgery



A vast variety of accessories can be found in the Merivaara Accessory catalog.

Advanced construction:

Motorized leg sections

Lower leg sections
(require 60225 or 60425)



Upper leg sections
(attach to the seat section)



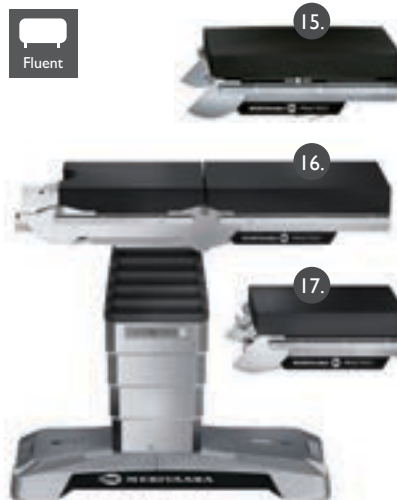
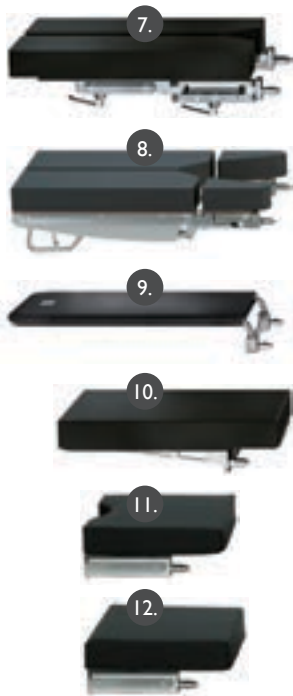
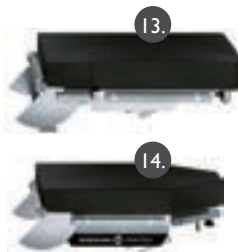
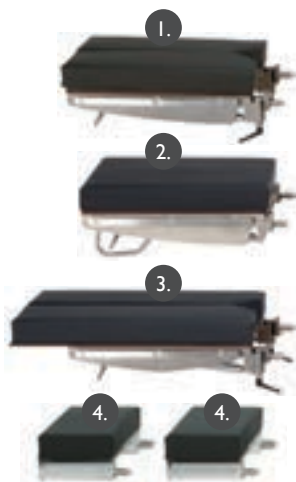
Back sections



Upper back sections /
adapters



Head rests



27.

DORO adapter
(connects directly to the
side rails)



* Recommended for Beach Chair

No.	Order No.	Name	Dimensions	Weight
1.	1000 30248	Short Divided Leg Plates, gas spring assisted	540 x 680 x 260 mm	2 x 9,1 kg
2.	1000 30147	One piece leg section, gas spring assisted	540 x 650 x 260 mm	17,1 kg
3.	1000 60475	Long Divided Leg Section, gas spring assisted	540 x 880 x 260 mm	2 x 9,9 kg
4.	1000 60250	25-Section	540 x 250 x 80 mm	7,6 kg
5.	1000 60225	25 Short-section	540 x 250 x 80 mm	5,4 kg
6.	1000 60425	25 gyn section	540 x 250 x 80 mm	5,3 kg
7.	1000 145480	Short Divided Leg Section Double joint		7,5 kg
8.	1000 60484	Divided Leg Plates, 4 Sections	540 x 865 x 230 mm	25 kg
9.	1000 60201	Light foot rest 60201	500 x 900 mm	5,2 kg
10.	1000 60204	Light leg section for motorized legs 60204	540 x 630 x 80 mm	4,9 kg
11.	1000 60440	40 gyn-section	540 x 400 x 80 mm	8,9 kg
12.	1000 60240	40-section	540 x 400 x 80 mm	9,1 kg
13.		Beach chair back section	540 x 650 x 200 mm	
14.		Eye-ENT back section	540 x 630 x 200 mm	
15.		Kidney bridge	540 x 630 x 200 mm	
16.		Standard	540 x 630 x 200 mm	
17.		Short back	540 x 500 x 200 mm	
18.	1000 60142	Head rest 60142	540 x 300 x 80 mm	6,4 kg
19.	1000 60140	Head rest 60140	540 x 300 x 80 mm	6,3 kg
20.	1000 60146	Head rest adapter 60146		2,5 kg
21.	1000 30126	Beach chair head rest 30126		4,6 kg
22.	1000 30128	Beach chair helmet head rest 30128		4,3 kg
23.	1000 18150 1000 18151	Head rest for ent/ophtalmology 18150 or 18151	225 x 290 x 60 mm	2,8-3,25 kg
24.	1000 18143	ENT-surgery head rest 18143	245 x 242 x 40 mm	3,4 kg
25.	1000 00142	Narrow headrest 142	275 x 206 x 50 mm	4,1 kg
26.	1000 00141	Wide headrest 141	275 x 406 x 50 mm	4,5 kg
27.	1003 00700	DORO adapter	700 x 680 x 60 mm	4,4 kg
28.	1010 01100	DORO Aluminium Head Rest System	550 x 600 x 470 mm	5,4 kg
29.	1003 00900	DORO Horseshoe Head rest	250 x 450 x 200 mm	2,1 kg



Available with Visco-elastic foam (VEF)
with premium patient comfort
against decubitus ulcers.

VEF
pad

General construction:

Non-motorized leg sections

Lower leg sections



Upper leg sections
(attach to the seat section)



Back sections



Upper back sections /
adapters



Head rests



* Recommended for Beach Chair

No.	Order No.	Name	Dimensions	Weight
1.	1000 20114	Foot rest / table extension 20114	700 x 170 x 455 mm	5,8 kg
2.	1000 60250	25-Section	540 x 250 x 80 mm	7,6 kg
3.	1000 30248	Short Divided Leg Plates, gas spring assisted	540 x 680 x 260 mm	2 x 9,1 kg
4.	1000 60475	Long Divided Leg Section, gas spring assisted	594 x 880 x 260 mm	
5.	1000 30147	One piece leg section, gas spring assisted	540 x 650 x 260 mm	17,1 kg
6.	1000 60201	Light foot rest 60201	500 x 900 mm	5,2 kg
7.	1000 60203	Light non-motorized leg section 60203		4,9 kg
8.		Beach chair back section	540 x 650 x 200 mm	
9.		Eye-ENT back section	540 x 630 x 200 mm	
10.		Kidney bridge	540 x 630 x 200 mm	
11.		Standard	540 x 630 x 200 mm	
12.		Short back	540 x 500 x 200 mm	

13.	1000 60142	Head rest 60142	540 x 300 x 80 mm	6,4 kg
14.	1000 60140	Head rest 60140	540 x 300 x 80 mm	6,3 kg
15.	1000 60146	Head rest adapter 60146		2,5 kg
16.	1000 30126	Beach chair head rest 30126		4,6 kg
17.	1000 30128	Beach chair helmet head rest 30128		4,3 kg
18.	1000 18150 1000 18151	Head rest for ent/ophtalmology 18150 or 18151	225 x 290 x 60 mm	2,8-3,25 kg
19.	100018143	ENT-surgery head rest 18143	245 x 242 x 40 mm	3,4 kg
20.	1000 00142	Narrow headrest 142	275 x 206 x 50 mm	4,1 kg
21.	1000 00141	Wide headrest 141	275 x 406 x 50 mm	4,5 kg
22.	1003 00700	DORO adapter	700 x 680 x 60 mm	4,4 kg
23.	1010 01100	DORO Aluminium Head Rest System	550 x 600 x 470 mm	5,4 kg
24.	1003 00900	DORO Horseshoe Head rest	250 x 450 x 200 mm	2,1 kg



Available with Visco-elastic foam (VEF)
with premium patient comfort
against decubitus ulcers.

VEF
pad

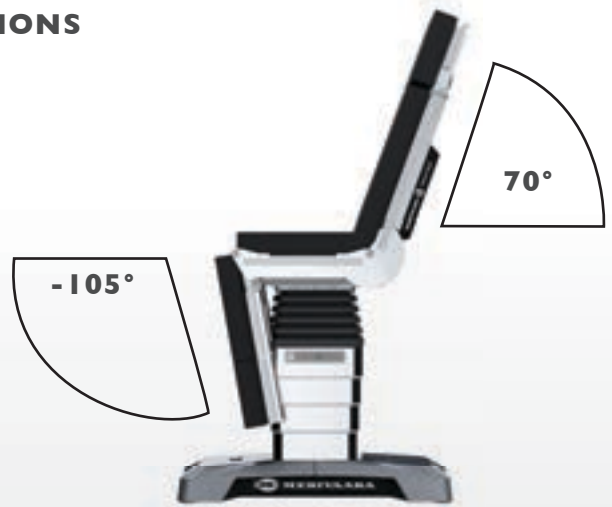
MAXIMUM HEIGHT (*)



MINIMUM HEIGHT ()**



MOTORIZED LEG AND BACK SECTIONS



TILT ANGLE



TRENDELENBURG ANGLE



**SLIDE LEG
260 MM**



**SLIDE HEAD
130 MM**



(* MAX HIGH COLUMN (** MAX LOW COLUMN

Technical Specifications

	Slide and motorized leg sections	No Slide, motorized leg sections	Slide, No motorized leg sections	No Slide, No motorized leg sections
Trendelenburg angle (degrees)	± 30	± 30	± 30	± 30
Tilt angle (degrees)	± 20	± 20	± 20	± 20
Slide (mm/inch)	390 / 15,6"	–	390 / 15,6"	–
Back section angle (degrees)	+ 70 / - 40	+ 70 / - 40	+ 70 / - 40	+ 70 / - 40
Motorized leg sections angle (degrees)	+ 70 / - 105	+ 70 / - 105	–	–
Non-motorized leg sections angles (degrees)	–	–	+ 20 / - 90	+ 20 / - 90
Practico Max Lo height (mm/inch)	540-1030 / 21,3"-40,6"	553-1043 / 21,8"-41,1"	540-1030 / 21,3"-40,6"	-
Practico Max Hi height (mm/inch)	640-1130 / 25,2"-44,5"	653-1143 / 25,7"-45"	640-1130 / 25,2"-44,5"	-
Practico General height (mm/inch)	585-885 / 23"-34,8"	-	585-885 / 23"-34,8"	598-898 / 23,5"-35,4"
Table top width (mm/inch)	540 / 21,3"	540 / 21,3"	540 / 21,3"	540 / 21,3"
Number of table top sections	4-6	4-6	4-6	4-6
Safe working load (SWL)	280 kg / 617.3 lb	280 kg / 617.3 lb	280 kg / 617.3 lb	280 kg / 617.3 lb
Lifting capacity	460 kg / 1014.13 lbs	460 kg / 1014.13 lbs	460 kg / 1014.13 lbs	460 kg / 1014.13 lbs
Number of memory positions	1	1	1	1
Fifth wheel option	√	√	√	√
IR compability with Open OR	–	–	–	–
Mattress type	VEF 80 mm	VEF 80 mm	VEF 80 mm	VEF 80 mm
Electrical brakes	√	√	√	√
Battery operated (Li ion)	√	√	√	√
Standard back section compatibility	√	√	√	√
Beach chair back section compatibility	–	√	–	√
Eye-ENT back section compatibility	√	√	√	√
Kidney-bridge back section compatibility	√	√	√	√
Official product name: Practico 145000				

√ = included

– = not available

The Merivaara Scandia selection of surgical operating tables brings with it a history that traces back over a 100 years.

The Scandia operating tables are specially designed for elective and minimal invasive procedures making them the perfect choice for day surgery and short-stay departments.

Our success and experience make us the healthcare provider that we are today.





SCANDIA PRIME

Versatility for day surgery

The Scandia Prime is an excellent choice when you are looking for a high-quality and versatile operating table for day and short-stay surgery.



Application examples:

- Laparoscopy
- Endoscopy
- Arthroscopy
- Orthopedic
- Spinal
- Vertebroplasty
- Hemorrhoids
- Hernia
- Tonsilectomy
- Gynecology and urology

Highlights

The Scandia Prime is a modular and versatile electromechanical surgical operating table that has been designed with the day surgery in mind. The Prime will meet the high demands and expectations of the modern-day operating room.



Benefits of the Scandia Prime



1. FULLY MODULAR

- Effortless manual locking system
- Interchangeable sections
- C-arm access
- Side rails along the entire length of the table top
- Sliding table top
- Curved base for closer proximity to the patient



2. HIGH MANOUEVRABILITY

- Manual quick action brake
- Directional castor
- Large castors ensure smooth manoeuvrability



3. HYGIENIC

- Easy to clean
- Designed to avoid fluid retention
- One piece base cover – no seams



4. CONTROL DEVICES

- Safety features incorporated:
 - 2-touch hand controller for safe use
 - Safety lock
- Backup control panel
- Intuitive use
- Movements limited by software to prevent collisions
- Table-top sections are driven simultaneously to 0-position or memory positions to speed up the operation

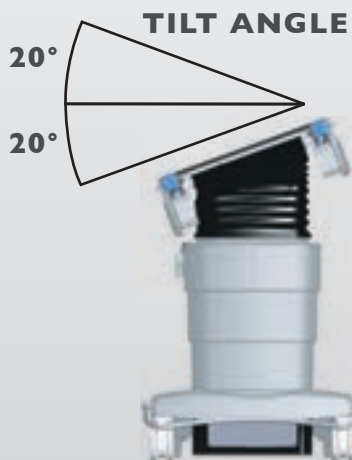
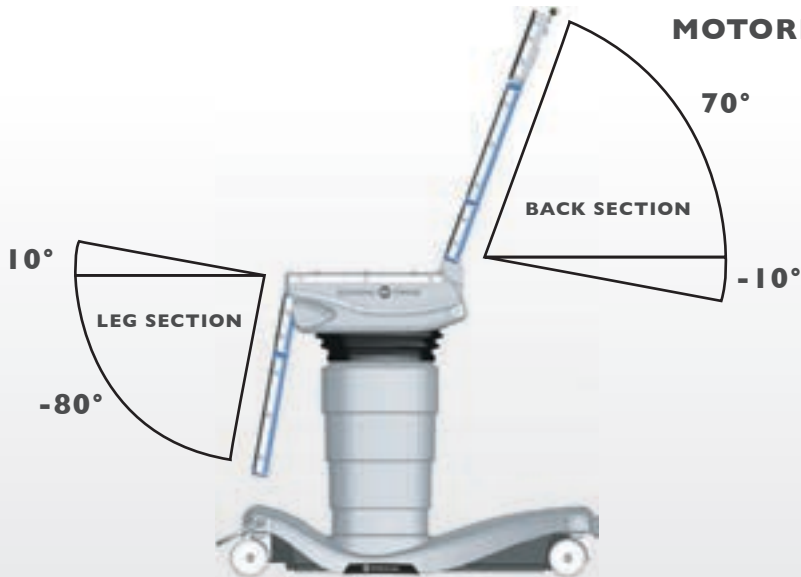


5. TRENDLENBURG ADJUSTMENTS

- Motorized Trendelenburg adjustment of 30 degrees for extreme positioning
- Controllable also from backup control panel



MOTORIZED LEG AND BACK SECTIONS



SLIDE HEAD (OPTIONAL) 300 MM



Technical Specifications

Total length	2070 mm
Width including accessory rails	622 mm
Mattress width	550 mm
Total weight	200 kg
Safe working load (SWL)	250 kg
Lifting capacity	454 kg
Castors	Four Ø 125 mm central locking twin castors
Motorized height adjustment range	595...1005 mm
Motorized Trendelenburg / anti-Trendelenburg	30° / 20°
Head section	-60°...+37°, 150 mm
Motorized back section	-10° ... +70°
Motorized leg section	-80° ... +10°
Motorized lateral tilt	20° / 20°
Motorized slide (optional)	300 mm
Flex / Reflex	220° / 120° (default)
Main power supply (EU)	24 VDC, battery operated. 100-240 V ~, 50/60 Hz
Current consumption	Max. 9 A
Ingress protection system	IPX4
Electric protection class	Class I (grounded), type B applied part
Internal power supply (main batteries)	2 x 2,1 Ah (2 x 52,92 Wh) Li-Ion technology (NMC), UN3481 (charge below 30 %)
Operating rate	10 %, max 2 min/ 18 min On/Off continuous use
Ambient conditions for transport and storage:	
Temperature	-10°C...+40°C
Relative air humidity	20 %...80 % at 30°C, not condensing
Air pressure	70 kPa...106 kPa
Ambient conditions for operation:	
Temperature	+5°C...+30°C
Relative air humidity	20 %...80 % at 30°C, not condensing
Air pressure	70 kPa...106 kPa
Country of manufacture	Finland

SCANDIA LITE

Streamlined design



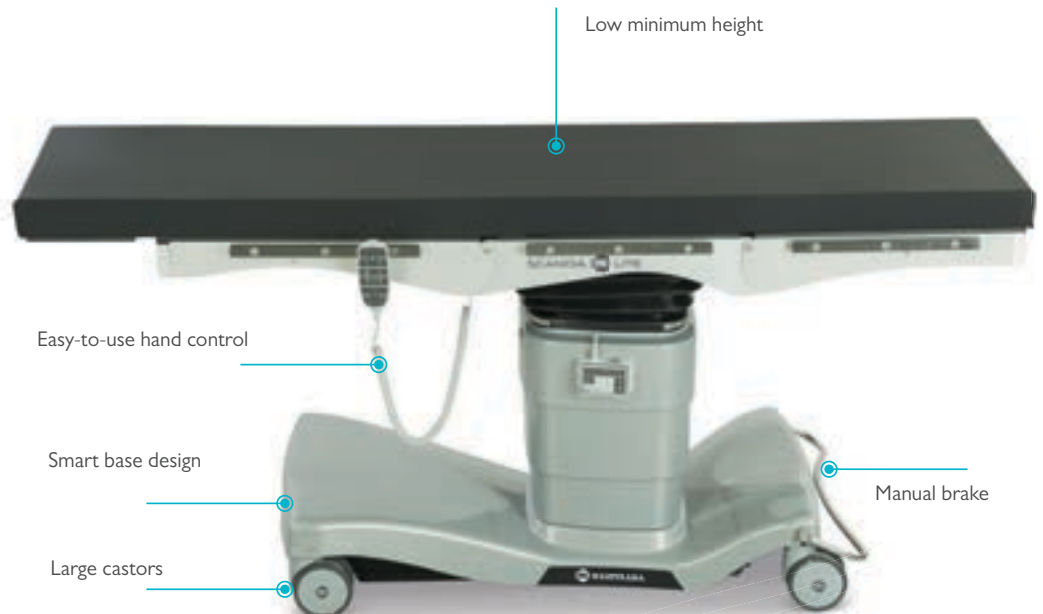
Application examples:

- Laser Surgery
- ENT
- Hand
- Endoscopy
- Cystoscopy
- Ophthalmic procedures
- Ingrown Toenails
- Excision of Moles
- Hemorrhoidectomy
- Hernia repairs
- Appendectomy
- Intestinal obstructions
- Peritonitis
- Laser hair removal
- Ultra-fat blasting
- Breast augmentation

The Scandia Lite is a non-modular surgical operating table that has been specifically designed for private clinics and simple procedures.

Highlights

The Scandia Lite is the perfect choice for simple surgical procedures. The Lite offers an electro-mechanical height adjustment column with Trendelenburg combined with a manual and smooth adjustable tabletop.



Benefits of the Scandia Lite



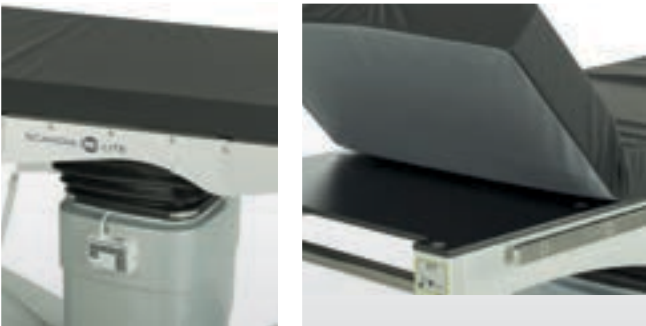
1. HYGIENIC

- Easy to clean
- Designed to avoid fluid retention
- One piece base cover – no seams



2. MINIMUM HEIGHT

- Low minimum height of 560 mm



3. VELCRO-FREE MATTRESS

- Non slip surface
- Full length mattress



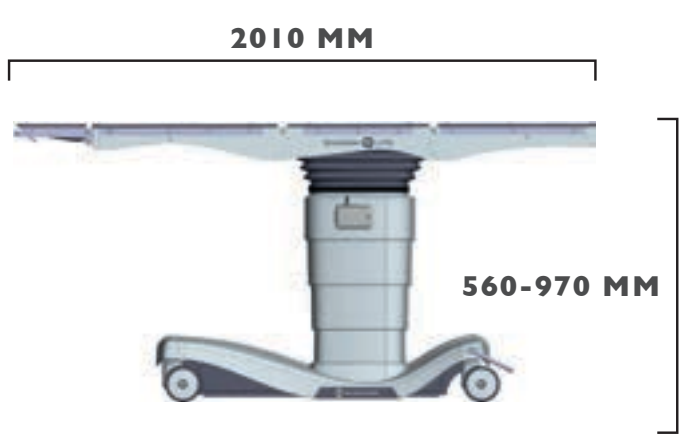
4. ACCESSIBILITY

- Curved base allowing closer proximity onto operating area

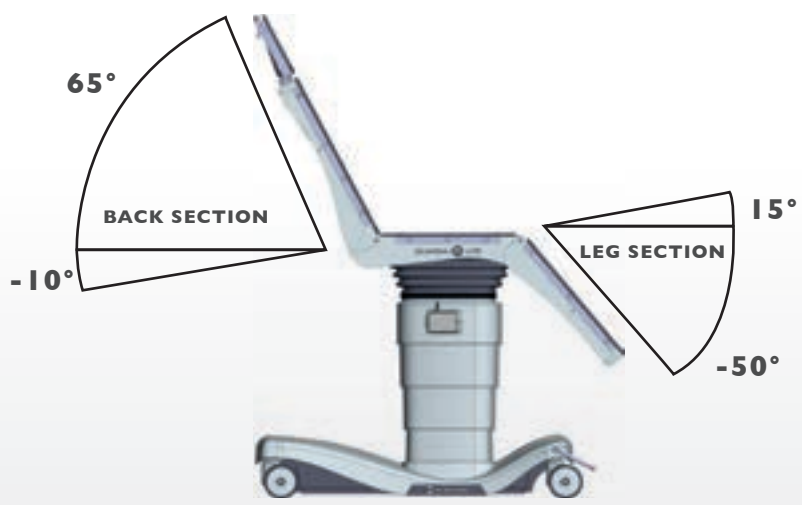


5. CONTROL DEVICES

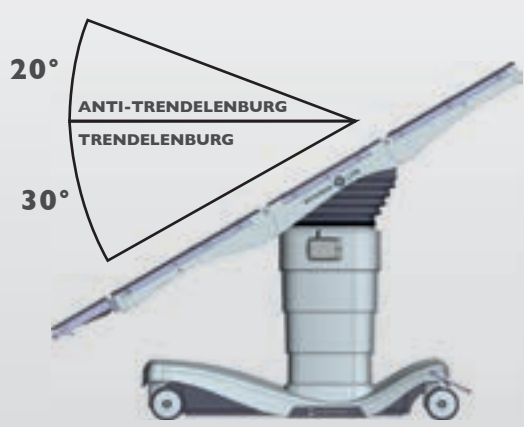
- Safety features incorporated:
 - 2-touch hand controller
 - Safety lock
- Backup control panel located on the column
- Wireless foot control (Bluetooth)



MANUAL LEG AND BACK SECTIONS



TRENDELENBURG ANGLE



NO SLIDE



Possible variation $\pm 5^\circ$ / ± 5 mm / ± 5 kg

Technical Specifications

Total length	2010 mm
Width incl. accessory rails	604 mm
Mattress width	550 mm
Total weight	174 kg
Safe working load (SWL)	200 kg
Lifting capacity	454 kg
Castors	Four Ø125 mm central locking twin castors, conductive
Motorized height adjustment range	560...970 mm
Motorized Trendelenburg / anti-Trendelenburg	30° / 20°
Non-motorized head section	-30°...+30°
Non-motorized back section	-10°...+65°
Non-motorized leg section	-50°...+15°
Main power supply (EU)	24 VDC, battery operated
	100-240 V ~, 50/60 Hz
Current consumption	Max. 4.5 A
Ingress protection system	IPX4
Electric protection class	Class I (grounded), type B applied part
Internal power supply (main batteries)	2,1 Ah (52,92 Wh) Li-Ion technology (NMC), UN3481 (charge below 30 %)
Operating rate	10 %, max 2 min/ 18 min On/Off continuous use.
Ambient conditions for transport and storage:	
Temperature	-10°C...+40°C
Relative air humidity	20 %...80 % at 30°C, not condensing
Air pressure	70 kPa...106 kPa
Ambient conditions for operation:	
Temperature	+5°C...+30°C
Relative air humidity	20 %...80 % at 30°C, not condensing
Air pressure	70 kPa...106 kPa
Manufactured in	Finland

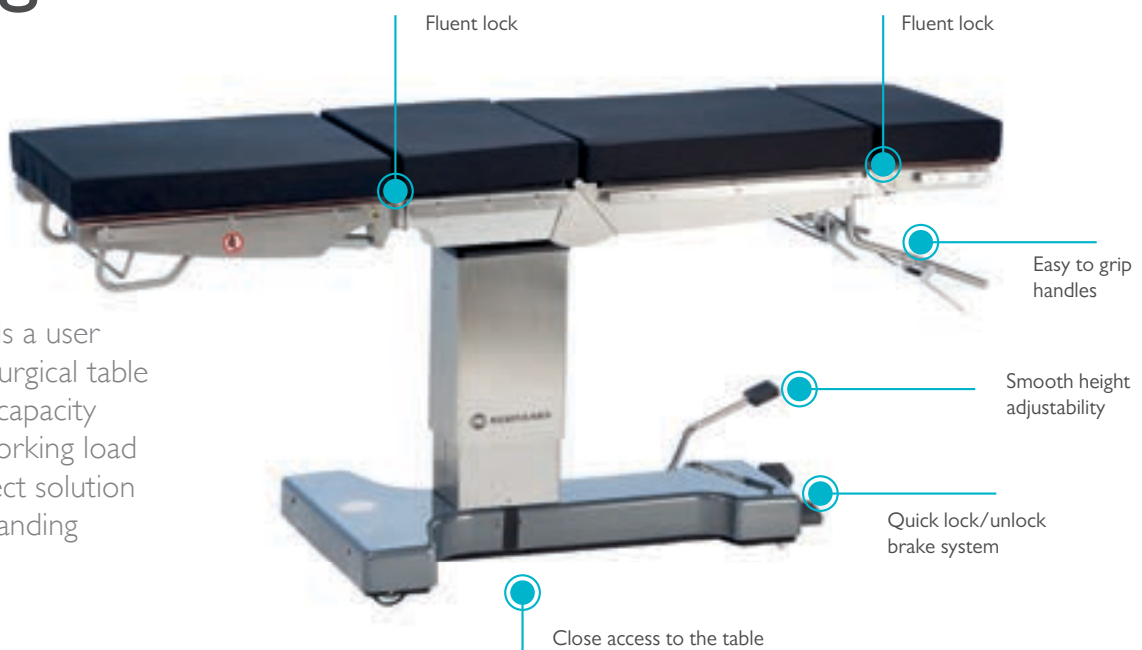
Practico Manual

Surgical operating table

The Practico Manual is a versatile manually operated table that enables a wide range of configurations for all types of surgical disciplines. The Practico Manual is design to accommodate various patient weights, thanks to the lifting capacity of 400 kg and SWL of 180 kg. The unique base design allows for closer access to the operating field whilst reducing lower back fatigue of the surgical team. The stainless steel table top design makes the table suitable also for demanding climate conditions.

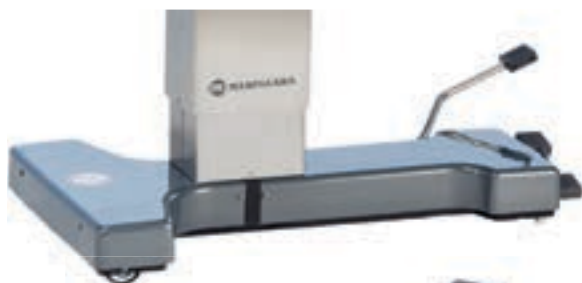


Highlights



Practico Manual is a user friendly manual surgical table solution. Its high capacity lifting and safe working load make it the perfect solution in the most demanding environments.

Benefits of the Practico Manual



1. FLUENT ACCESS

The unique base design allows for closer access to the operating field.



2. VERSATILE

Practico Manual can be configured to adapt to many surgical applications thanks to its semi-modular design.



3. QUICK AND EASY

Practico Manual can be set up quickly even in the most challenging environments.



4. COMPATIBLE

Suitable with all Merivaara accessories when you see this symbol.



5. READY FOR ALL ENVIRONMENTAL CHALLENGES

The design of the stainless steel table makes the table suitable also for demanding climate conditions.

Patient positioning



Lateral positioning with kidney elevator for kidney/thorax surgery.



Lateral positioning with manual flex without kidney elevator.



Reverse mode



Supine positioning

SPECIAL ACCESSORIES



**TRENGUARD 450 HYBRID
STARTER PACKAGE STANDARD**



DIVIDED LEGS



Lithotomy positioning for GYN and urology surgical applications.



Fowler positioning with divided leg sections for laparoscopic and bariatric surgery.



Orthopedic extension device 19300 for lower extremities. Can also be used for elective surgery.

SPECIAL ACCESSORIES



**ROUND LATERAL
BRACE MV-11651**



**RECTANGULAR LATERAL
BRACE MV-11652**



ARM-LEG SHIELD 60485

HYDRAULIC HEIGHT ADJUSTMENT

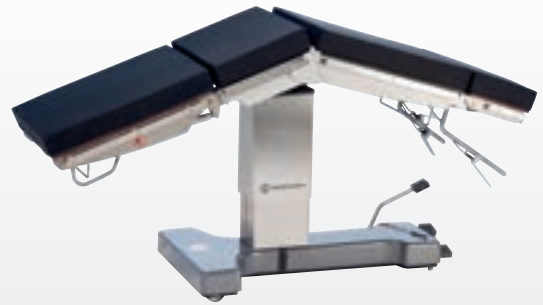
710-1020 MM



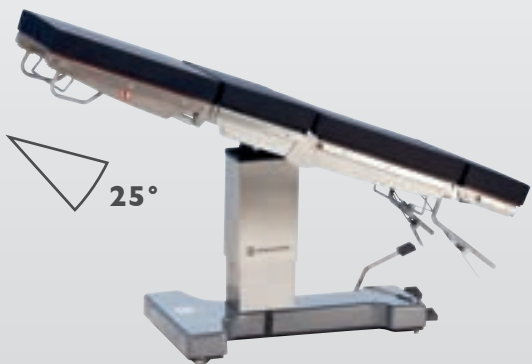
REFLEX



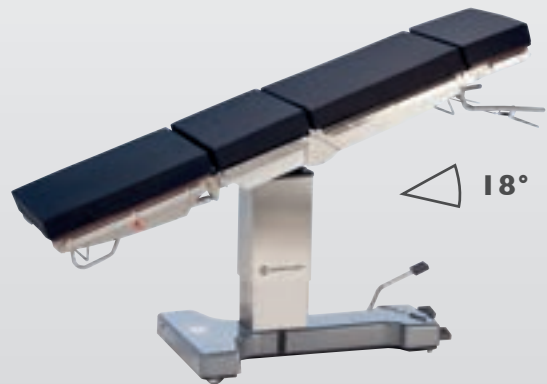
FLEX



TRENDELENBURG



REVERSE TRENDELENBURG



GAS-SPRING ASSISTED LATERAL TILT

±20°



Technical Specifications

	When used in normal mode	When used in reverse mode
Safe working load (SWL)	180 kg	180 kg
Max. lifting capacity	400 kg	400 kg
Height adjustment range (without mattress)	710 – 1020 mm	710 – 1020 mm
Height	Hydraulic	Hydraulic
Side rails	Euro, UK, US	Euro, UK, US
Trendelenburg	25°	18°
Reverse Trendelenburg	18°	25°
Lateral tilt	± 20°	± 20°
Back section adjustment	- 30° ... +70°	–
Leg section adjustment	- 90° ... +15°	–
Back and leg section, lateral tilt and Trendelenburg tilt	Mechanical, gas-spring assisted	Mechanical, gas-spring assisted
Official product name: Practico Manual		

Rapido

Versatile and functional



Highlights

Wide table top with 80 mm antistatic and hygienic visco elastic memory foam, mattress that conforms to the patient's body.

Height settings hydraulic and gas spring aided adjustments.

X-Ray cassette rails, good imaging access.

Trendelenburg and reverse Trendelenburg adjustment handles.

Height adjustment pedals are easy to access.

Allows easy access to the patient, thus providing ergonomic working positions for the surgery team. Provides adequate legroom and a good working area for the surgical team.

The lower base is housed inside within a hygienic, easy to clean casing.

Smooth and silent height adjustment allows for optimal positioning helping patients with limited mobility to easily get on and off the table.

Fluent movement thanks to larger antistatic twin castors that glide smoothly on a variety of floor surfaces, central locking.



Benefits of the Rapido



1. FLUENT ACCESSIBILITY

- The unique table design allows for closer access to the operating field.

2. PATIENT SAFETY

- Patient safety rails during transport

3. EASY TO USE

- Fluent manoeuvrability
- Easy configuration
- Light weight sections
- Small base footprint allows for effective space saving

4. ECONOMIC EFFICIENCY

- Budget friendly
- Reduces purchasing costs



RAPIDO STANDARD

Rapido is the ideal operating surgical table/trolley for the busy day surgery unit. It is lightweight and easy to use and easy to clean. The Rapido reduces manual handling and improves efficiency in the operating room and ward. The open design ensures optimum surgical access and easy use of x-ray and other imaging equipment.

A comprehensive range of accessories are available to enable you to undertake a wide range of day surgery and minor surgical procedures. C-arm access is quick and easy with the Rapido making it ideal for use by the Endoscopy department.

RAPIDO FOR UPPER BODY PROCEDURES

Rapido Upper Body operating surgical table/trolley is designed for various upper body surgical procedures. This model has improved access to the patient's upper body, optimizing space for the surgeon's legs and feet.

Rapido Upper Body is especially designed for various types of surgeries, for example Thoracic, ENT, Gynecology, Urology and hand & arm procedures. Adjustments of the table that the surgeon needs during the upper body operations are conveniently controlled from the head end of the table.



Day Surgery Process with Rapido

A wide range of surgical procedures are now undertaken in Day Surgery. Fast and efficient Day Surgery eliminates the need for patients to stay in the hospital overnight greatly reducing operating costs. The Rapido is a patient trolley, operating table and recovery bed all in one unit. It reduces capital equipment and maintenance costs or the need for ward beds, saving valuable space in the pre-op and recovery wards.

PRE-OPERATIVE TREATMENT

- Allows for a more relaxed pre-op patient-surgeon consultation
- Patient is prepared for surgery without the need to be transferred to a surgical table



SURGICAL PROCEDURES

- Mobile Rapido table is easy to position in the operating room
- Fluent manoeuvrability
- Rapido is compatible with most side rail mounted accessories.
- The modular head rest can easily be removed to allow the anesthesia access to the patient's head during gynecological and urological procedures

POST-OPERATIVE CARE

- Patient can be transported directly to the post-op ward without the need for transfer to a bed
- Rapido is compact in size – more trolleys fit in the recovery room than beds
- Allows the patient on the Rapido to recover before being transported to the hospital ward

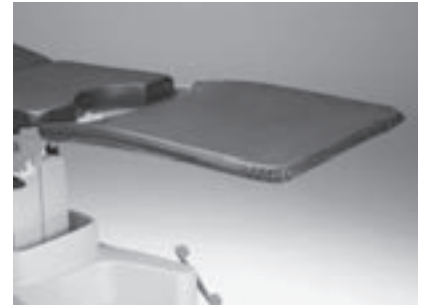
Special accessories



Divided leg section 1000 18261



Gyn/Uro extension 1000 18153



Light foot rest 1000 18001



X-ray cassette tray
1000 18126



Bowl (6 L)
with drainage 100 201572
without drainage 100 201571



Wire utility basket for utilities
1000 18183



Oxygen bottle holder
5 L 1000 18189



Push bars to
foot end 18168



Paper roll holder for Rapido
18572



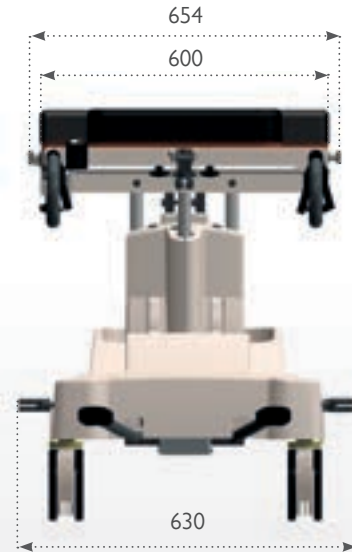
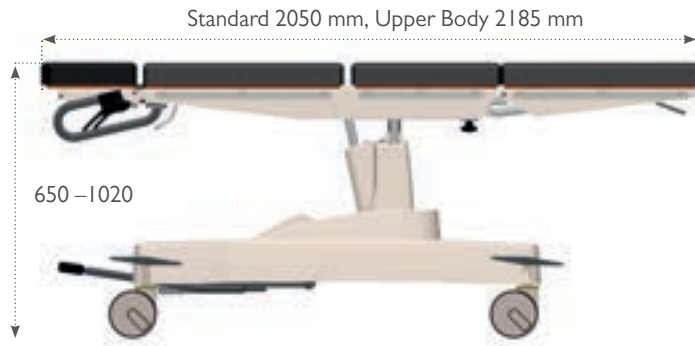
Infusion rod 749, order no 1000 00749



Storage holder for infusion rod order no 1000 18578



*A vast variety of accessories
can be found in the Merivaara
Accessory catalog.*



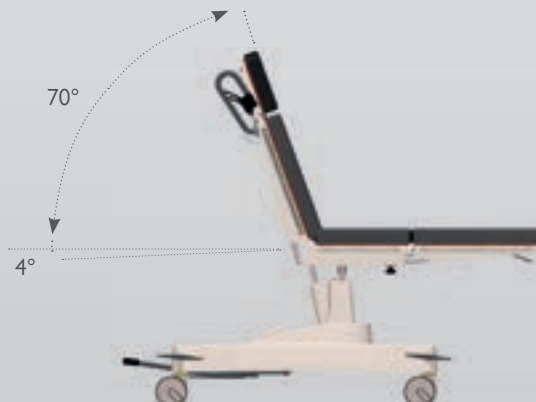
TRENDELENBURG / REVERSE TRENDELENBURG



LEG SECTION ADJUSTMENTS



GAS-SPRING ASSISTED BACK SECTION ADJUSTMENT



Technical Specifications

	Standard	Upper Body
Length	2050 mm	2185 mm
Mattress width	600 mm	600 mm
Total width	654 mm	654 mm
Weight	125 kg	125 kg
Safe working load (SWL)	160 kg	160 kg
Height, hydraulically with foot pedals	650–1020 mm	650–1020 mm
Trendelenburg, gas spring-assisted	-25°	-25°
Reverse Trendelenburg, gas spring-assisted	+18°	+18°
Lateral tilt, gas spring-assisted	± 15°	–
Back section adjustment, gas spring-assisted	- 4°...+70°	- 4°...+70°
Leg section adjustment, gas spring-assisted	- 90°...+4°	- 50°...+4°
Head rest	- 40°...+25°	- 40°...+25°
Castors size	Ø 150 mm	Ø 150 mm
Antistatic castors: washable, swivelling twin-castors, central locking device pedal	√	√
Number of table top sections	4 sections / 5 sections (divided foot section)	4 sections (one-piece leg section)
Fixed back and seat sections	√	√
Leg and head sections detachable	√	√
Top plate of X-ray translucent high pressure laminate	√	√
X-ray cassette rails along the full length of the surgical surface	√	√
Accessory rails of stainless steel	√	√
Casings of shock-resistant ABS plastic	√	√
Mattress type	Antistatic and hygienic visco elastic memory foam 80 mm	Antistatic and hygienic visco elastic memory foam 80 mm
Warranty	2 years	2 years
Official product name:	Rapido	Rapido Upper Body



Health Technology with a Human Touch

Made in Finland with respect
for our unique nature.



MERIVAARA CORP.

Lahti, Finland, Tel. +358 3 3394 611,
merivaara@merivaara.com www.merivaara.com

MERIVAARA WORLDWIDE

Merivaara's headquarters, with R&D, production, sales, marketing and after-sales service functions, are located in Lahti, Finland. Merivaara has subsidiaries in Sweden (Merivaara AB), UK (Merivaara Ltd) and a sales organisation in Russia. Additionally, Merivaara's products are sold in more than 120 countries by a network of distributors.

The status of the information, specifications and illustrations in this publication is indicated by the date of publication. Whilst

the greatest care has been taken over its compilation, Merivaara Corp. is not responsible for any errors or omissions. Merivaara Corp. reserves the right to make changes to the technology, features, specifications and design of the equipment and models without notice. Please check the Merivaara website for the latest updated specifications and other information.

Note: All illustrated patient positions are only examples and different kind of procedures can be made based on personal or cultural needs. Proper patient positioning needs to be made by trained professional.

All trademarks are Merivaara property unless otherwise stated. Patents granted or pending.

©Merivaara Corp. DOC ID: 6172EN-1, Date: 11/2022